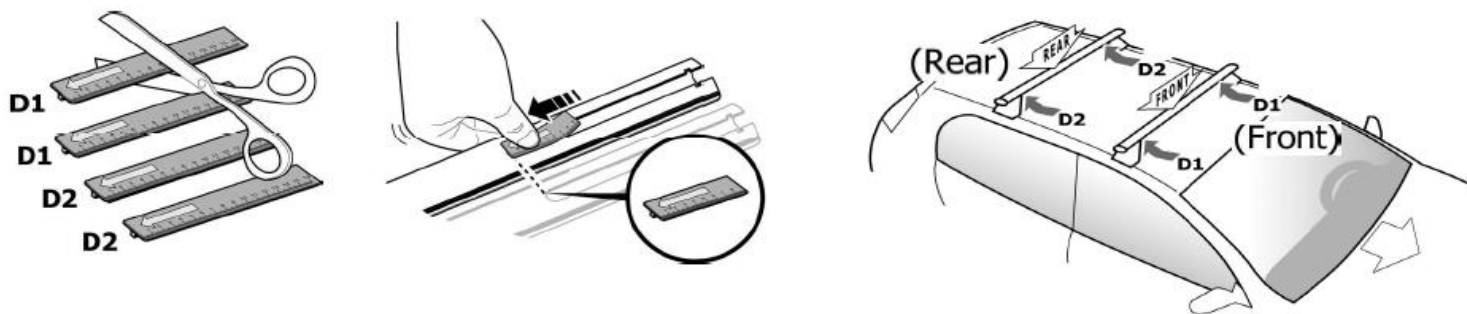
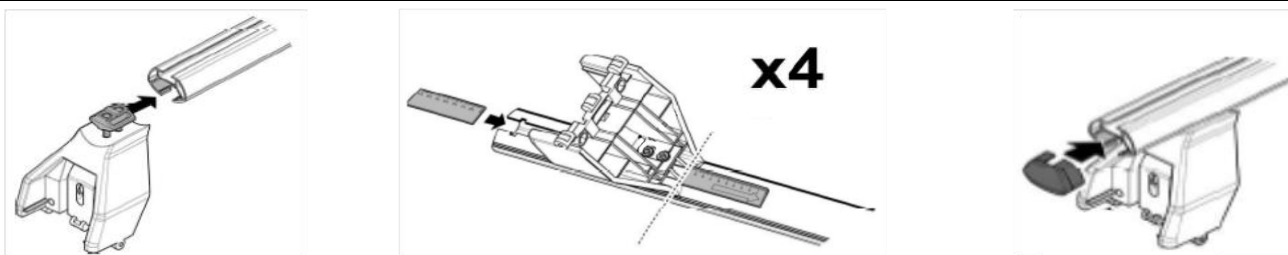


1

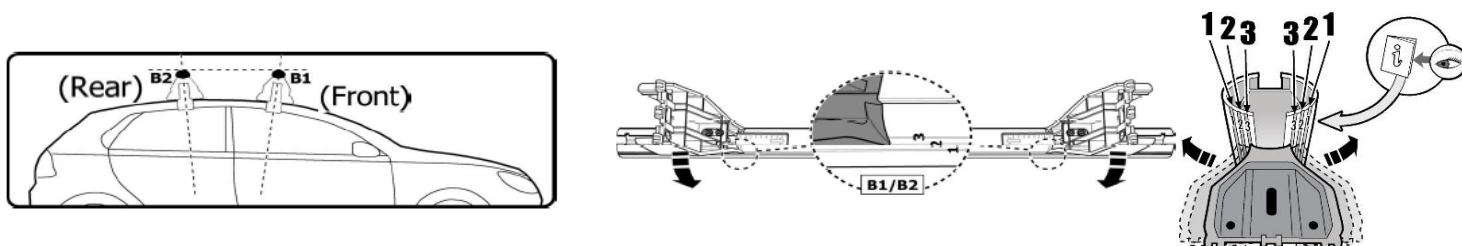


MANUFACTURER	MODEL CAR	DOORS	MODEL YEAR	D1	D2
HONDA	Civic X Sedan	4	16>	6,3	9,5

2

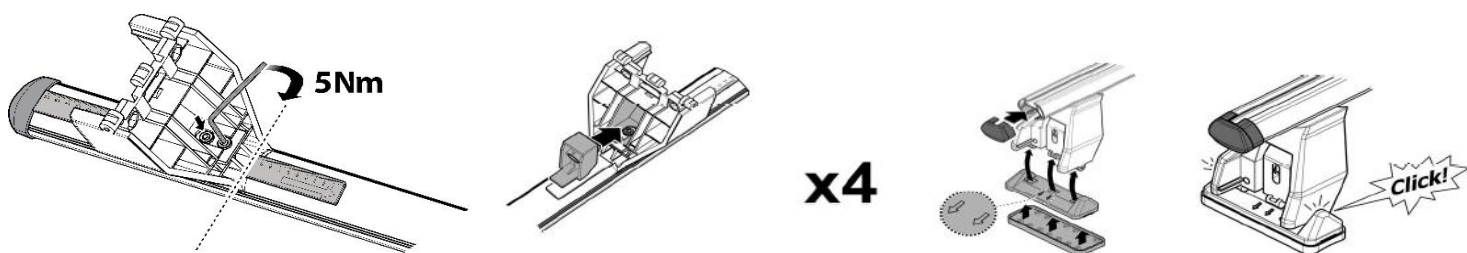


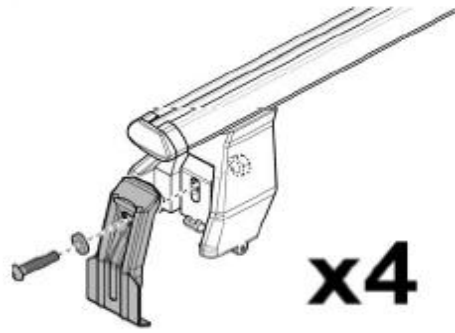
3



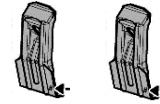
MANUFACTURER	MODEL CAR	DOORS	MODEL YEAR	B1	B2
HONDA	Civic X Sedan	4	16>	1	2

4

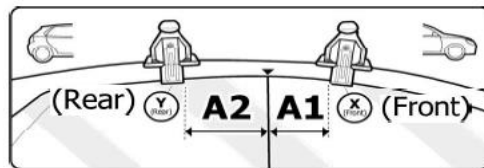
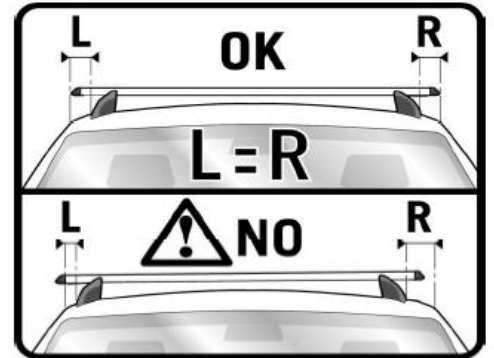
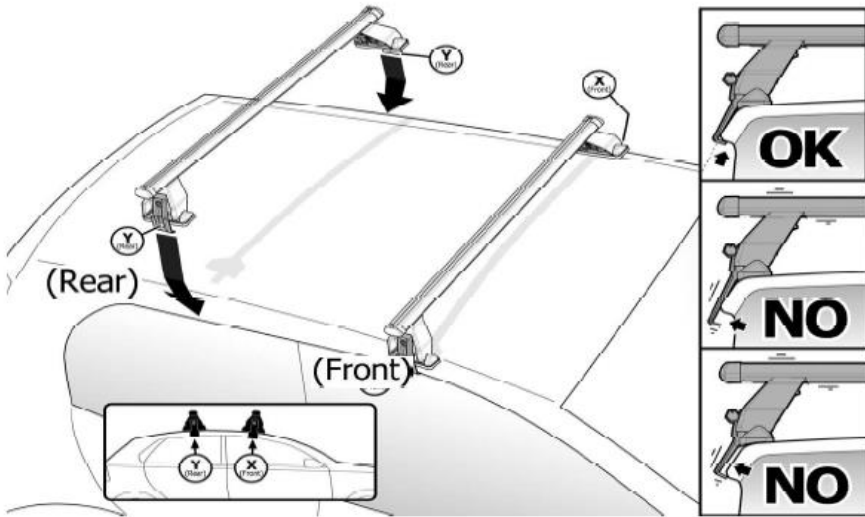




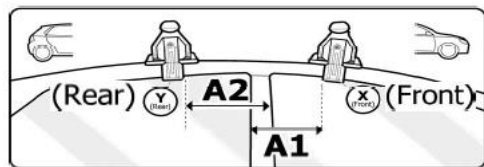
Front	Rear
X	Y



1R	1R
2X	2X



OR



MANUFACTURER	MODEL CAR	DOORS	MODEL YEAR	A1	A2	A1	A2
				cm	cm	in	in
HONDA	Civic X Sedan	4	16>	30	39	11,8	15,4

X = predisposizione originale /original arrangement