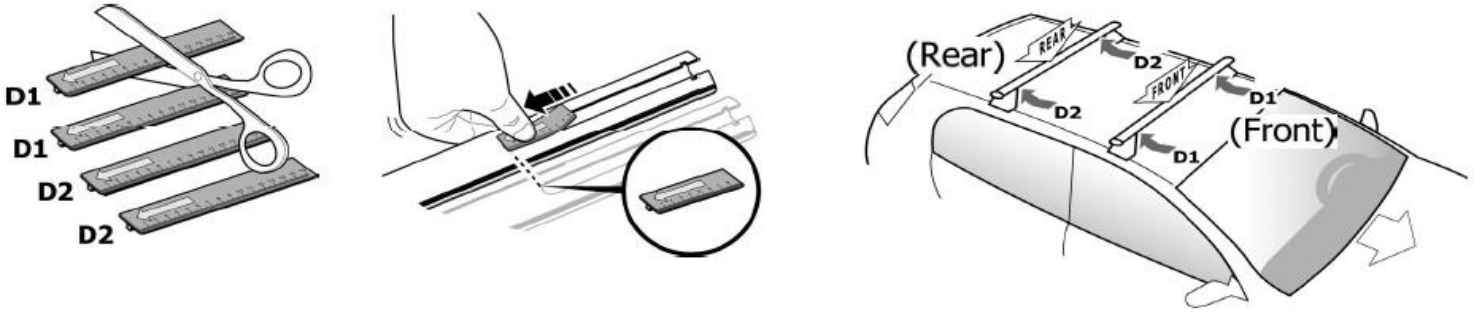
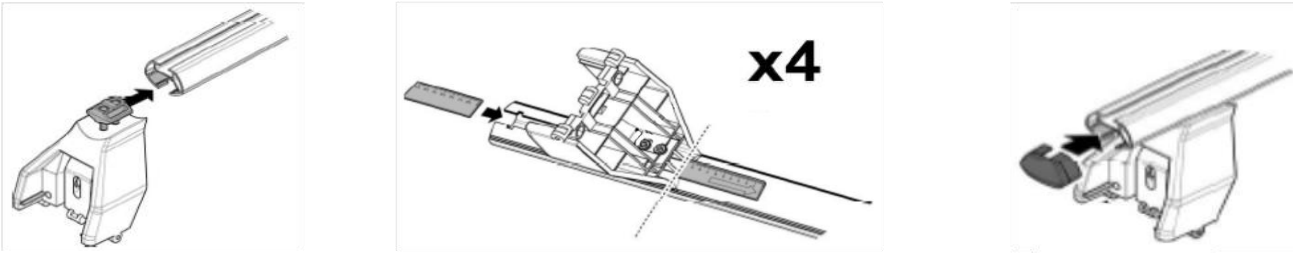


1

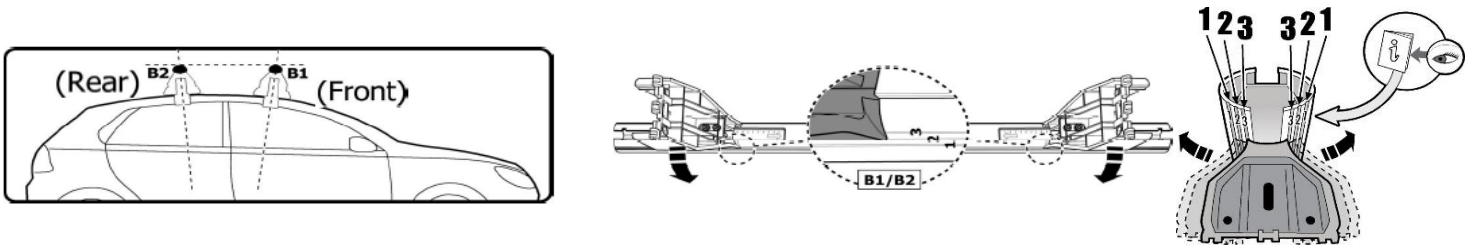


MANUFACTURER	MODEL CAR	DOORS	MODEL YEAR	D1	D2
SSANGYONG	XLV	5	16>	6,9	5,6

2

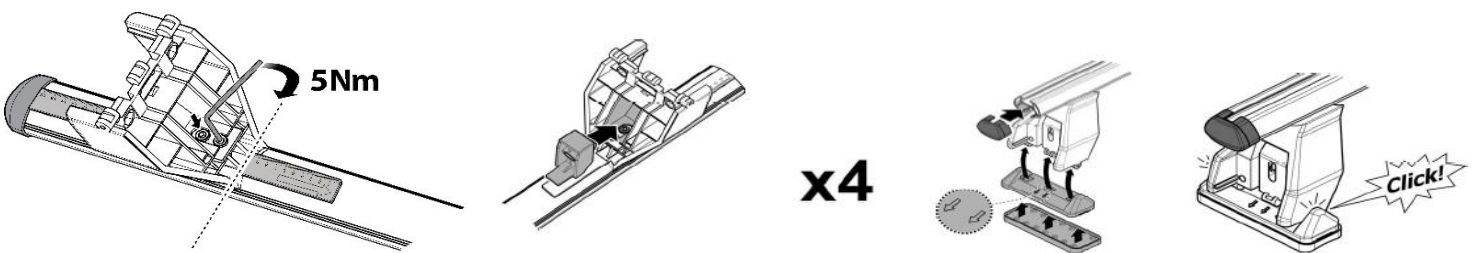


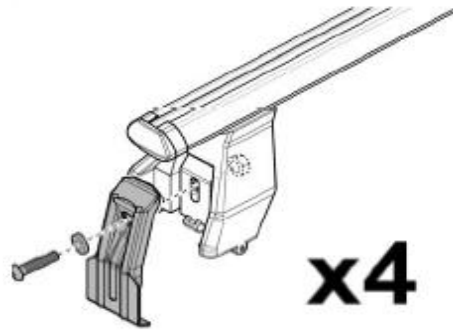
3



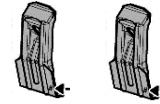
MANUFACTURER	MODEL CAR	DOORS	MODEL YEAR	B1	B2
SSANGYONG	XLV	5	16>	2	2

4

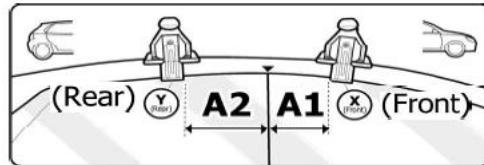
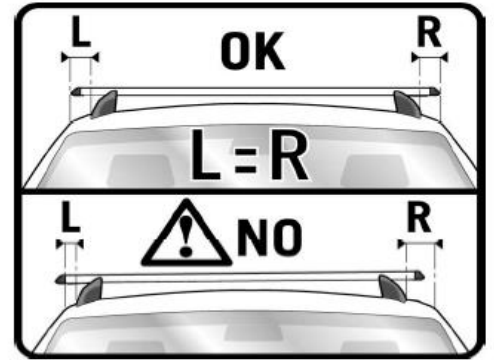
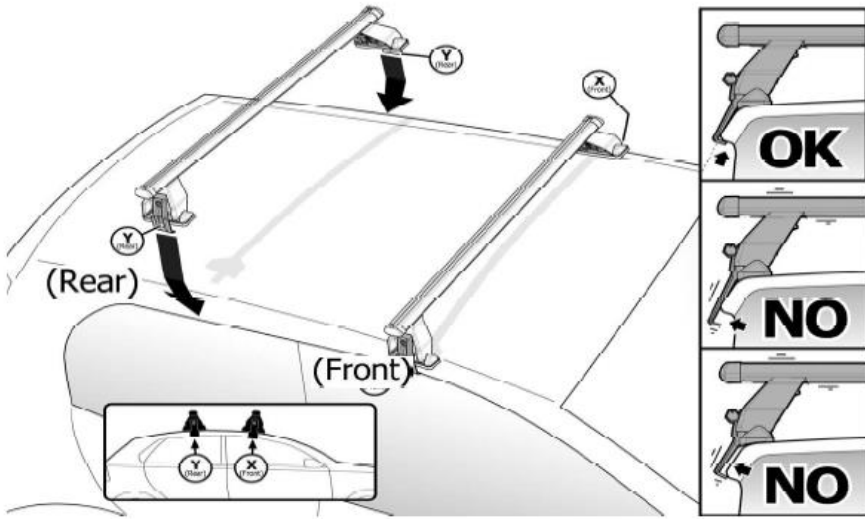




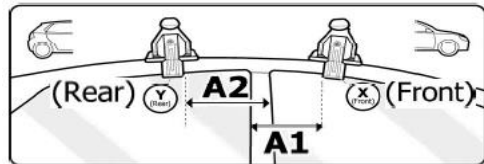
Front	Rear
X	Y



14R	11R
2X	2X



OR



MANUFACTURER	MODEL CAR	DOORS	MODEL YEAR	A1 cm	A2 cm	A1 in	A2 in
SSANGYONG	XLV	5	16>	18	39	7,1	15,4

X = predisposizione originale /original arrangement