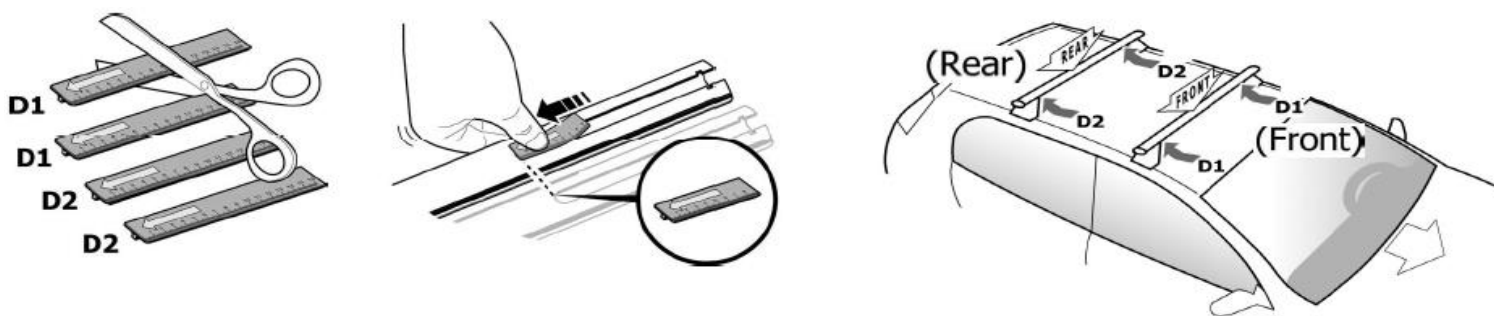
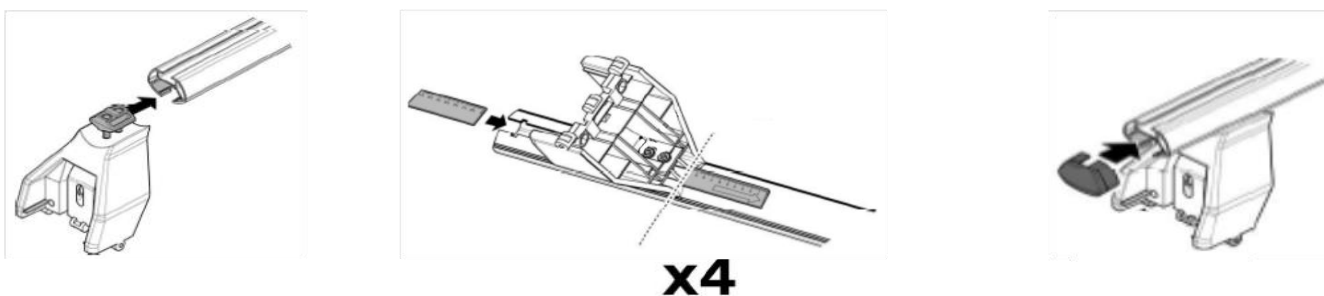


**1**

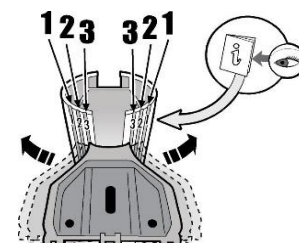
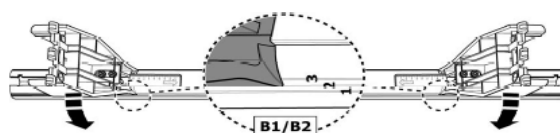
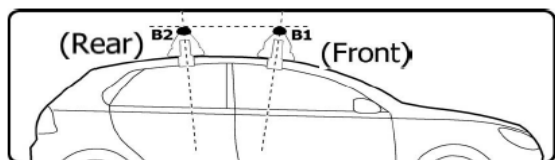


MANUFACTURER	MODEL CAR	DOORS	MODEL YEAR	D1	D2
SEAT	Ateca	5	16>	10,3	8,8
SUBARU	WRX STI	4	17>	8,5	8,5
VOLKSWAGEN	Polo VI (AW)	5	17>	4,1	3,6

**2**

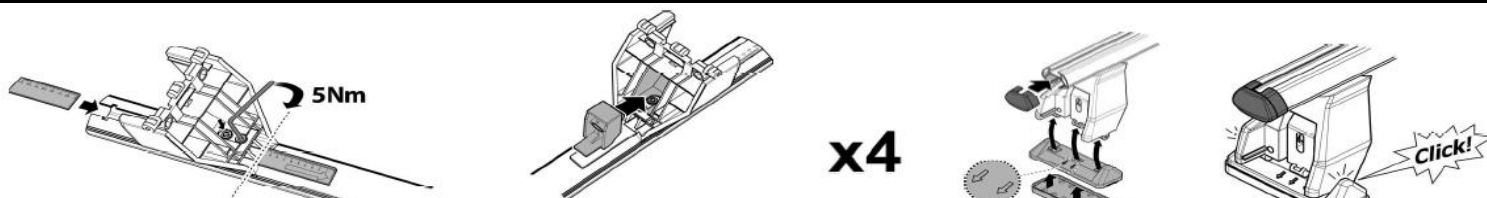


**3**

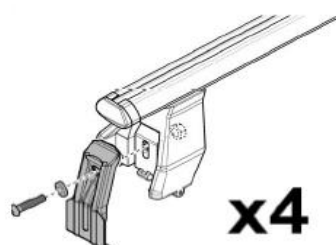


MANUFACTURER	MODEL CAR	DOORS	MODEL YEAR	B1	B2
SEAT	Ateca	5	16>	2	2
SUBARU	WRX STI	4	17>	1	2
VOLKSWAGEN	Polo VI (AW)	5	17>	2	1

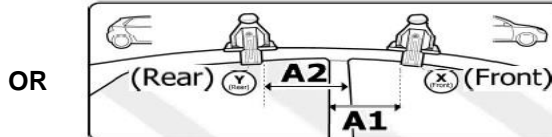
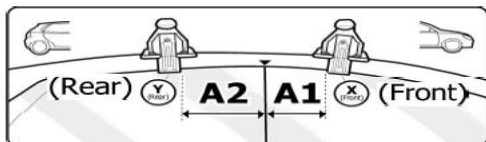
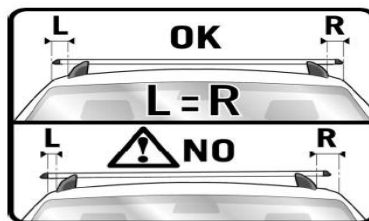
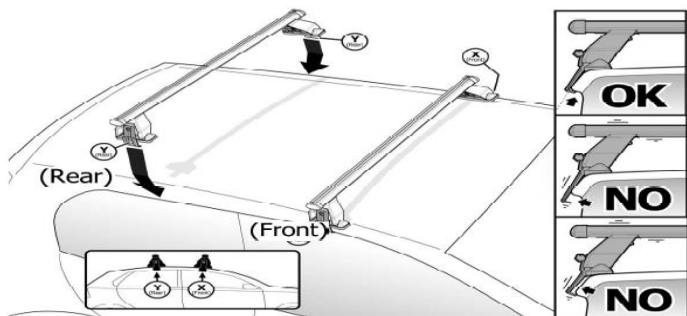
**4**



**5**



Front x	Rear y
50R 2X	3R 2X



MANUFACTURER	MODEL CAR	DOORS	MODEL YEAR	A1	A2	A1	A2
				cm	cm	in	in
SEAT	Ateca	5	16>	18	49	7,1	19,3
SUBARU	WRX STI	4	17>	27	41	10,6	16,1
VOLKSWAGEN	Polo VI (AW)	5	17>	32	X	12,6	X

X = predisposizione originale /original arrangement

MANUFACTURER	MODEL CAR	DOORS	MODEL YEAR
VOLKSWAGEN	Polo VI (AW)	5	17>

