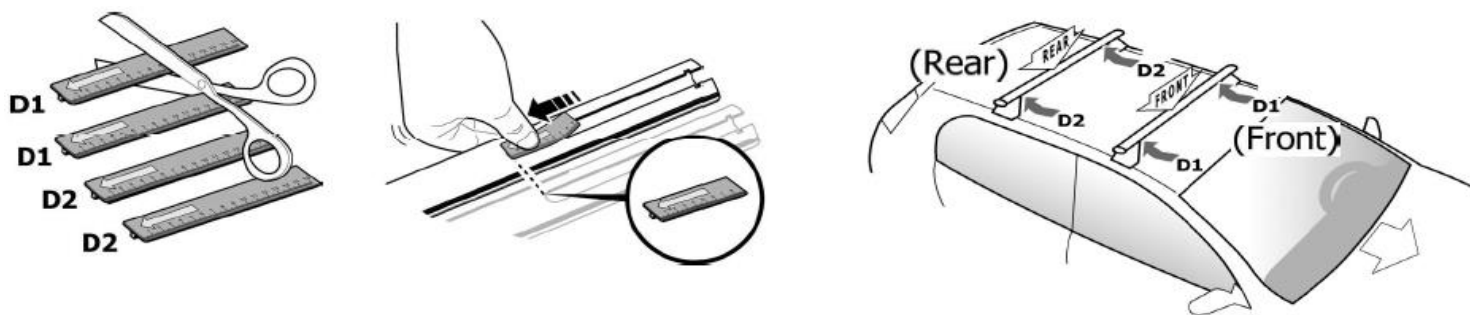
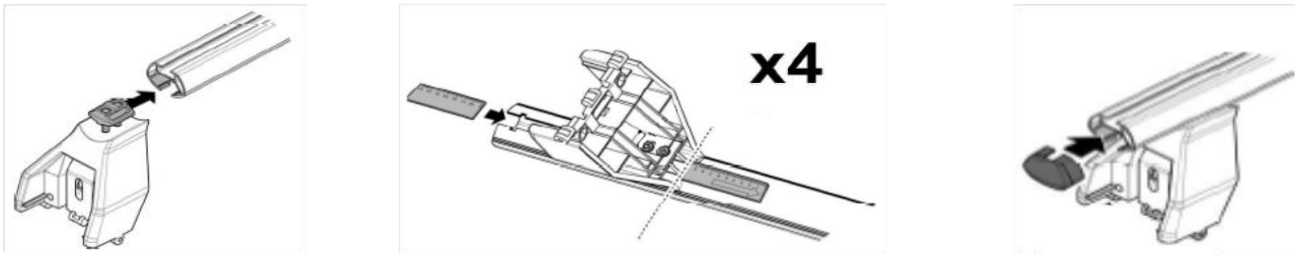


1

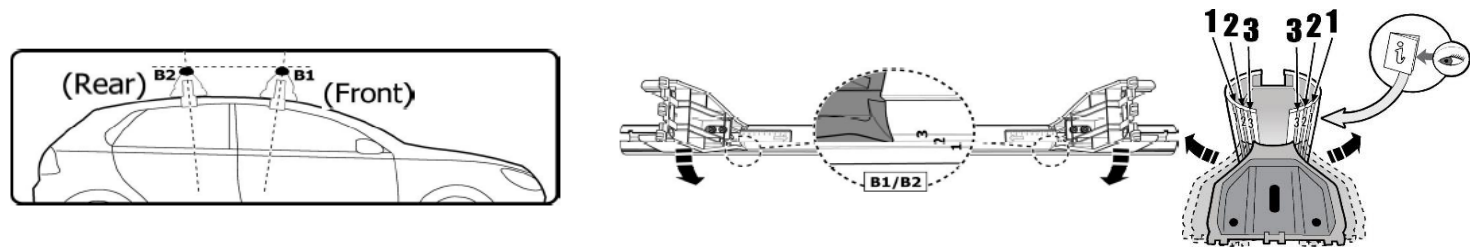


MANUFACTURER	MODEL CAR	DOORS	MODEL YEAR	D1	D2
LAND ROVER	Discovery 4 (L319)	5	10>16	7,1	8,5

2

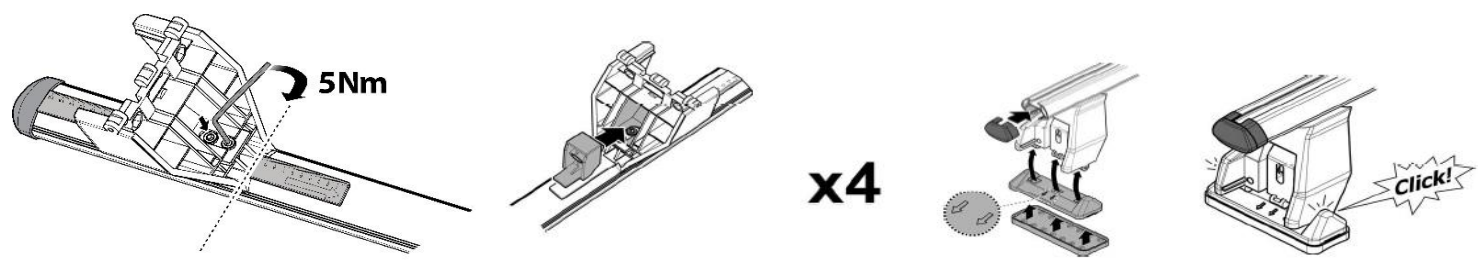


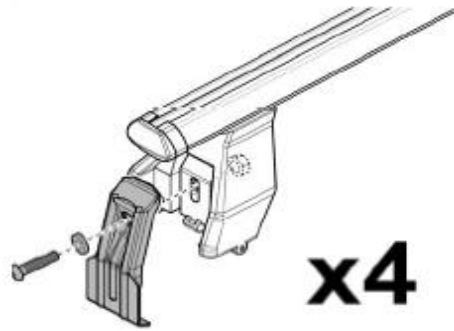
3



MANUFACTURER	MODEL CAR	DOORS	MODEL YEAR	B1	B2
LAND ROVER	Discovery 4 (L319)	5	10>16	2	2

4

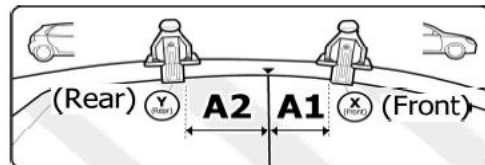
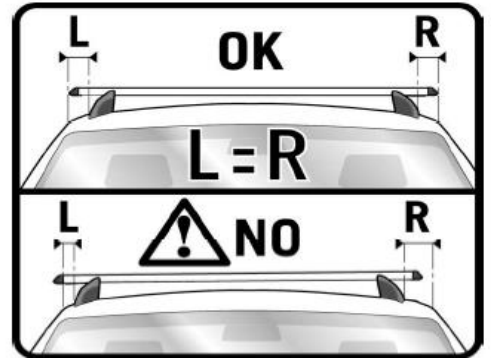
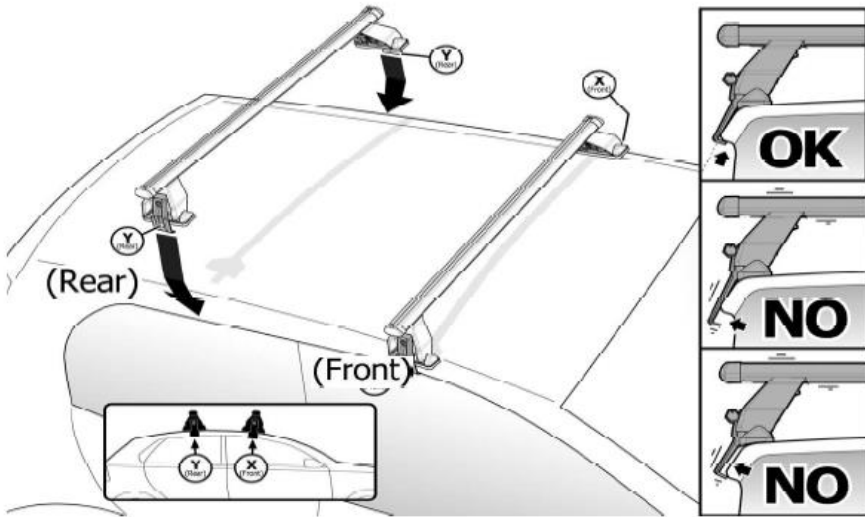




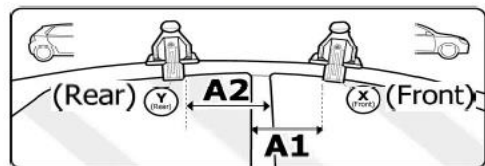
Front	Rear
X	Y



1R	18R
2X	2X



OR



MANUFACTURER	MODEL CAR	DOORS	MODEL YEAR	A1 cm	A2 cm	A1 in	A2 in
LAND ROVER	Discovery 4 (L319)	5	10>16	30	40	11,8	15,7

X = predisposizione originale /original arrangement