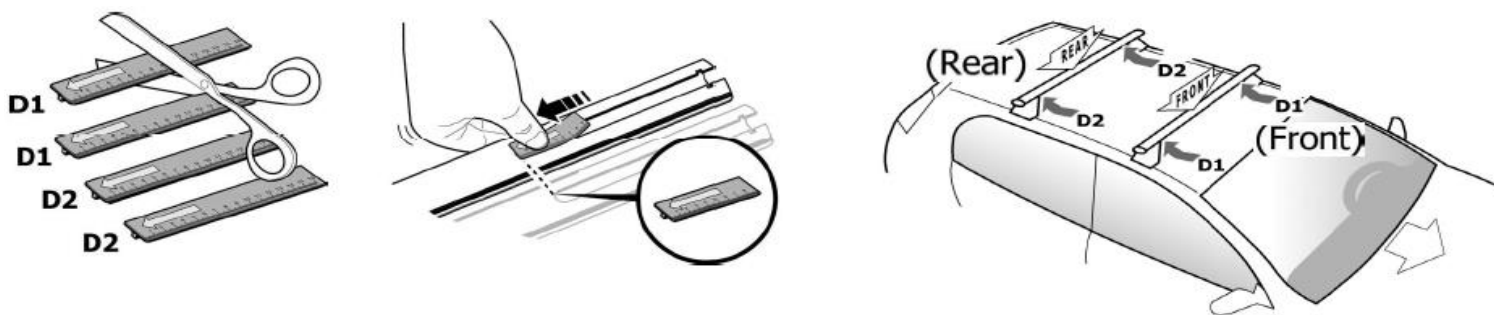
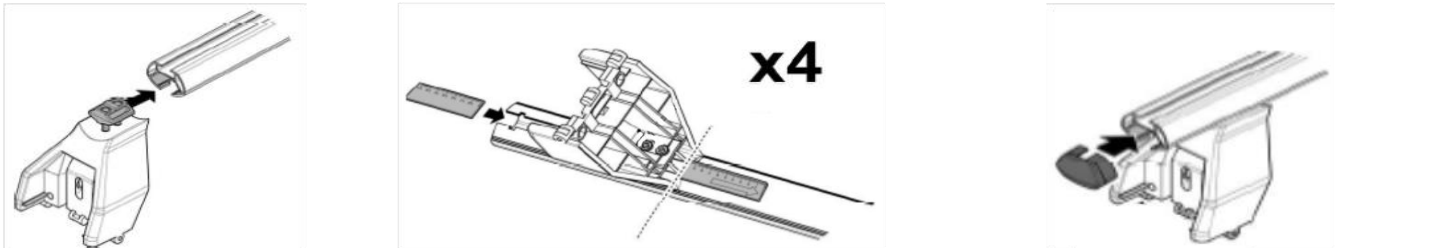


1

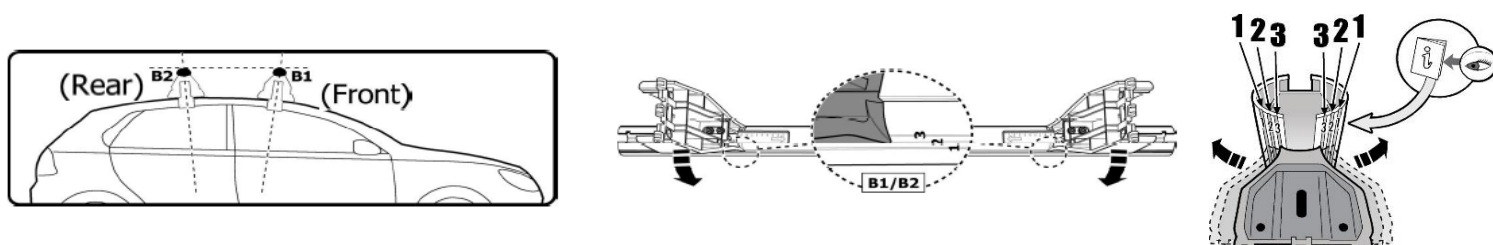


MANUFACTURER	MODEL CAR	DOORS	MODEL YEAR	D1	D2
AUDI	A1 (GB) Sportback	5	19>	14,2	11,3
BMW	X4 (G02)	5	18>	12,2	11,7
JAGUAR	XF (X260)	4	15>	7,5	9,0
KIA	Cee'D (CD) SportsWagon	5	18>	8,3	6,9
LEXUS	UX (ZA10)	5	18>	6,9	6,0
MAZDA	6 / Atenza (GJ/GL) Station Wagon	5	12>	10,2	13,4
SUBARU	Outback V	5	15>	9,4	7,5

2

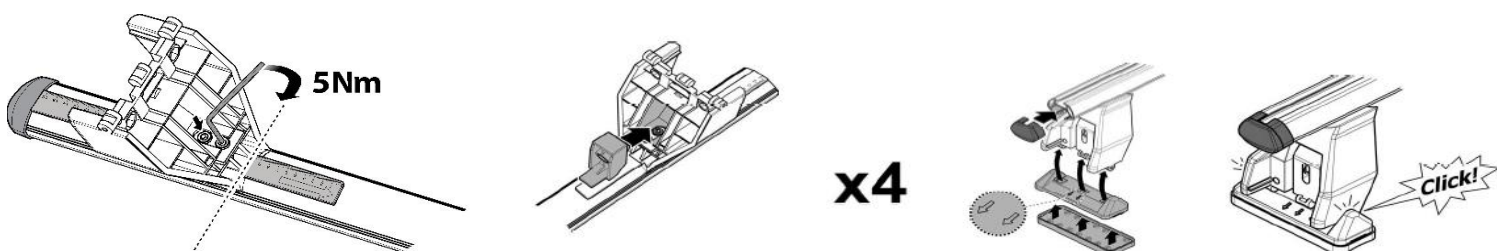


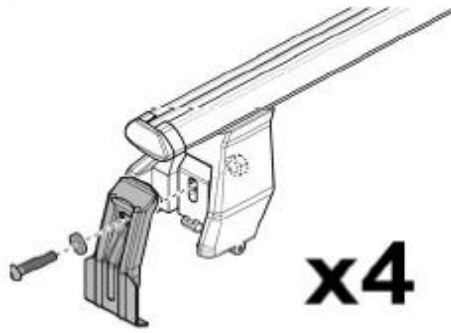
3



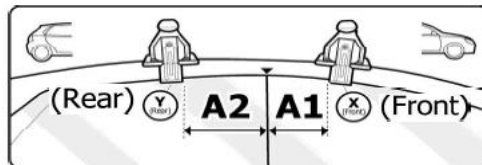
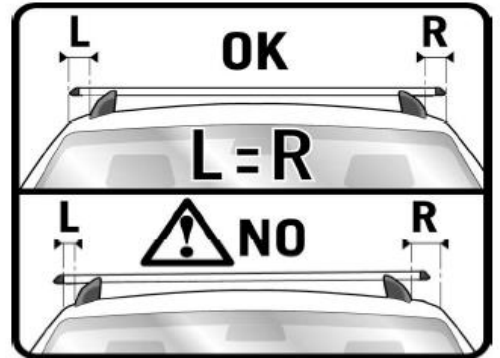
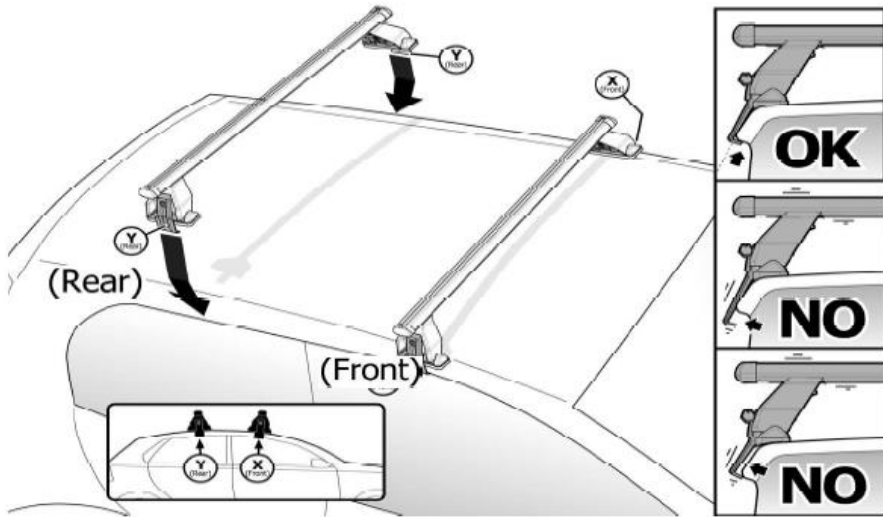
MANUFACTURER	MODEL CAR	DOORS	MODEL YEAR	B1	B2
AUDI	A1 (GB) Sportback	5	19>	1	2
BMW	X4 (G02)	5	18>	2	1
JAGUAR	XF (X260)	4	15>	1	2
KIA	Cee'D (CD) SportsWagon	5	18>	2	2
LEXUS	UX (ZA10)	5	18>	1	2
MAZDA	6 / Atenza (GJ/GL) Station Wagon	5	12>	2	2
SUBARU	Outback V	5	15>	1	2

4

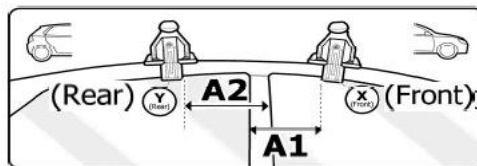




Front X	Rear Y
1 2X	38 2X



OR



MANUFACTURER	MODEL CAR	DOORS	MODEL YEAR	A1	A2	A1	A2
				cm	cm	in	in
AUDI	A1 (GB) Sportback	5	19>	27	36	10,6	14,2
BMW	X4 (G02)	5	18>	30	38	11,8	15,0
JAGUAR	XF (X260)	4	15>	15	48	5,9	18,9
KIA	Cee'D (CD) SportsWagon	5	18>	10	54	3,9	21,3
LEXUS	UX (ZA10)	5	18>	24	35	9,4	13,8
MAZDA	6 / Atenza (GJ/GL) Station Wagon	5	12>	4	62	1,6	24,4
SUBARU	Outback V	5	15>	17	52	6,7	20,5

X = predisposizione originale /original arrangement