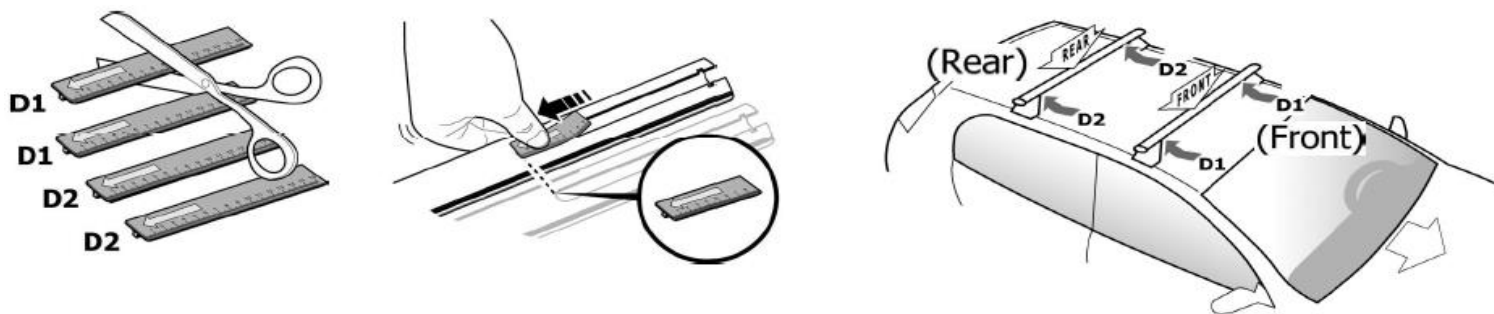
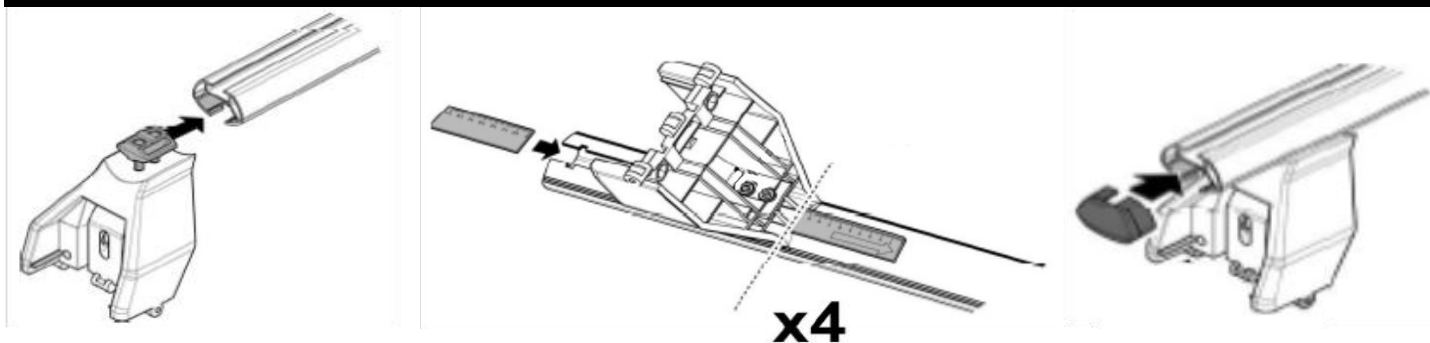


1

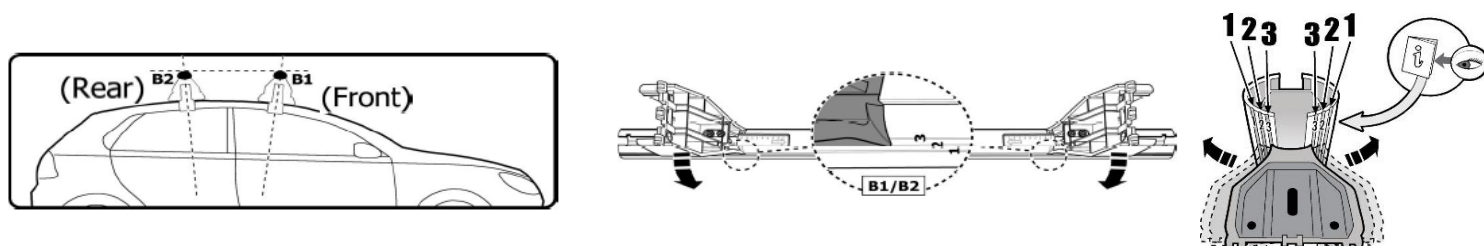


| MANUFACTURER | MODEL CAR | DOORS | MODEL YEAR | D1 | D2 |
|--------------|------------------------|-------|------------|------|------|
| AUDI | A8 (D5/4N) | 4 | 17> | 9,3 | 9,5 |
| FORD | Focus IV | 5 | 18> | 9,0 | 9,0 |
| NISSAN | Qashqai / Dualis (J11) | 5 | 17> | 12,4 | 10,3 |
| RENAULT | Grand Scenic IV | 5 | 17> | 13,7 | 10,6 |
| RENAULT | Megane III | 5 | 08>16 | 14,5 | 15,0 |
| RENAULT | Megane IV Grand Coupé | 4 | 17> | 9,0 | 7,7 |
| RENAULT | Scenic IV | 5 | 17> | 13,5 | 9,7 |
| SKODA | Scala | 5 | 19> | 6,5 | 5,6 |
| VOLVO | S60 | 4 | 18> | 8,3 | 11,0 |
| VOLVO | S90 | 4 | 16> | 7,6 | 8,3 |

2

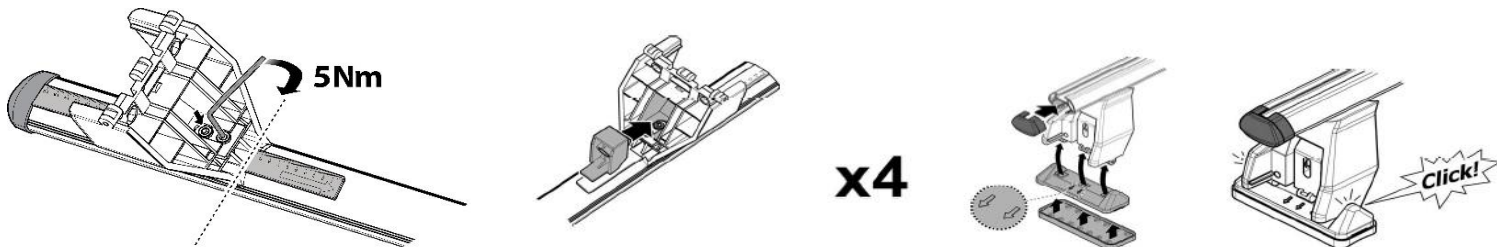


3

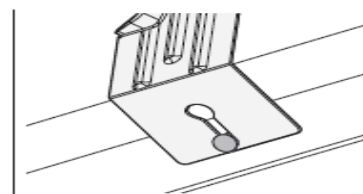
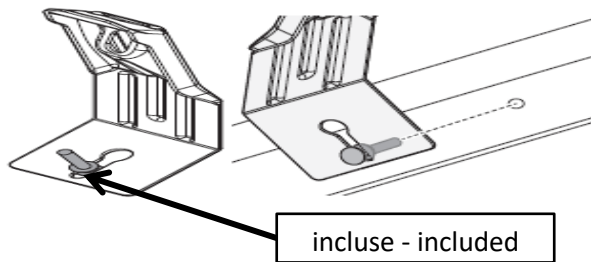
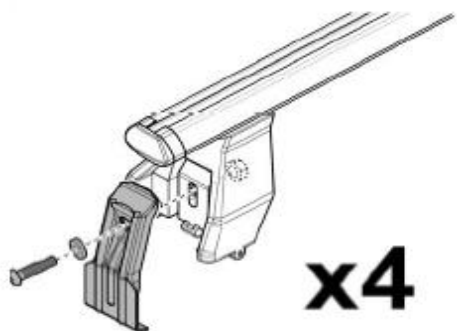
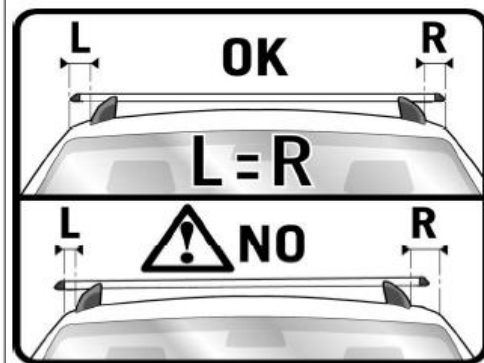
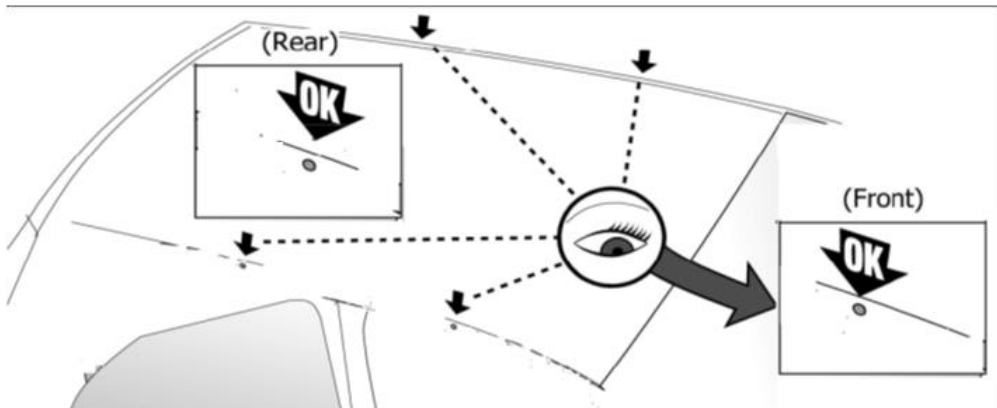


| MANUFACTURER | MODEL CAR | DOORS | MODEL YEAR | B1 | B2 |
|--------------|------------------------|-------|------------|----|----|
| AUDI | A8 (D5/4N) | 4 | 17> | 1 | 2 |
| FORD | Focus IV | 5 | 18> | 1 | 2 |
| NISSAN | Qashqai / Dualis (J11) | 5 | 17> | 1 | 2 |
| RENAULT | Grand Scenic IV | 5 | 17> | 2 | 2 |
| RENAULT | Megane III | 5 | 08>16 | 1 | 1 |
| RENAULT | Megane IV Grand Coupé | 4 | 17> | 1 | 2 |
| RENAULT | Scenic IV | 5 | 17> | 2 | 2 |
| SKODA | Scala | 5 | 19> | 2 | 2 |
| VOLVO | S60 | 4 | 18> | 1 | 2 |
| VOLVO | S90 | 4 | 16> | 1 | 3 |

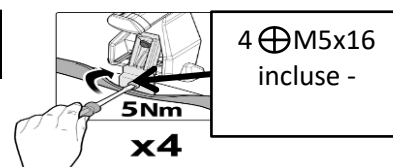
4



5



| MANUFACTURER | MODEL CAR | DOORS | MODEL YEAR |
|--------------|------------------------|-------|------------|
| NISSAN | Qashqai / Dualis (J11) | 5 | 17> |



| MANUFACTURER | MODEL CAR | DOORS | MODEL YEAR |
|--------------|-----------|-------|------------|
| FORD | Focus IV | 5 | 18> |

