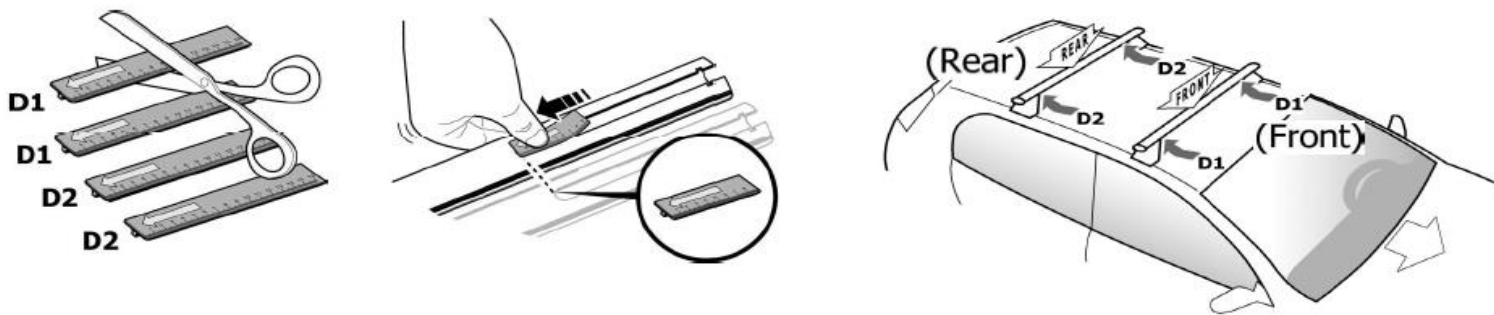
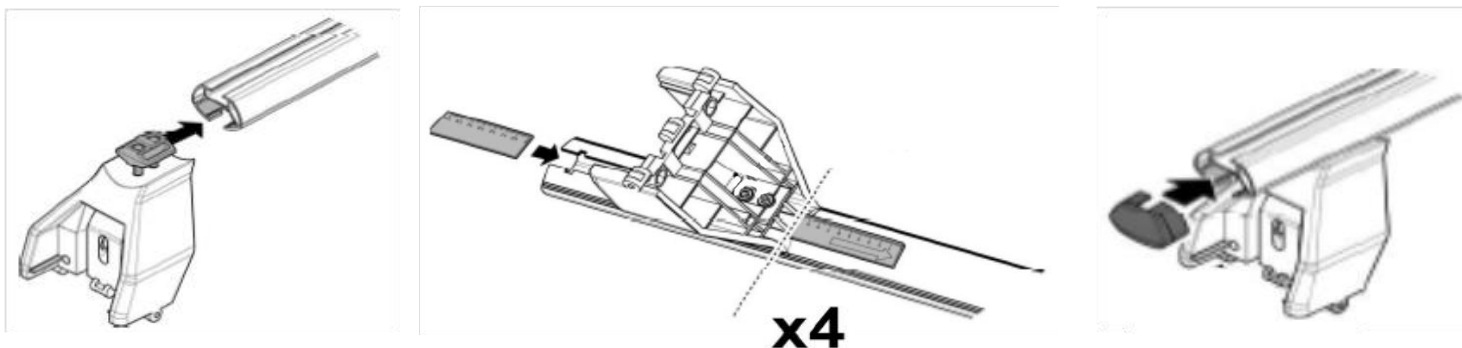


**1**

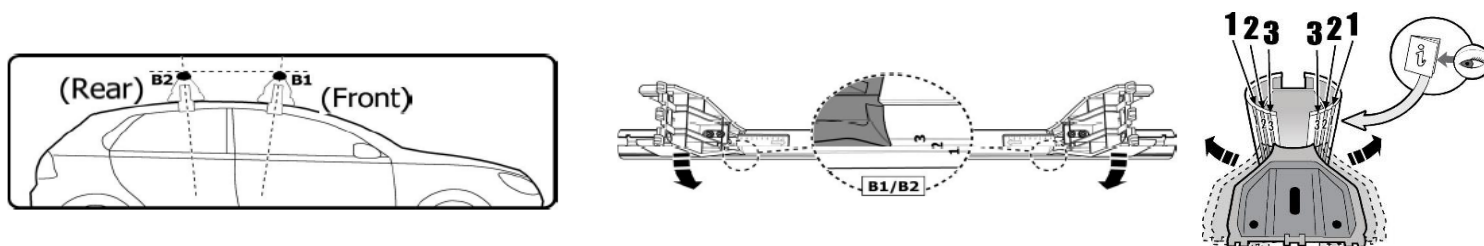


MANUFACTURER	MODEL CAR	DOORS	MODEL YEAR	D1	D2
PEUGEOT	206	3	98>09	7,5	9,3
PEUGEOT	206 Plus	3	09>12	7,5	9,3

**2**

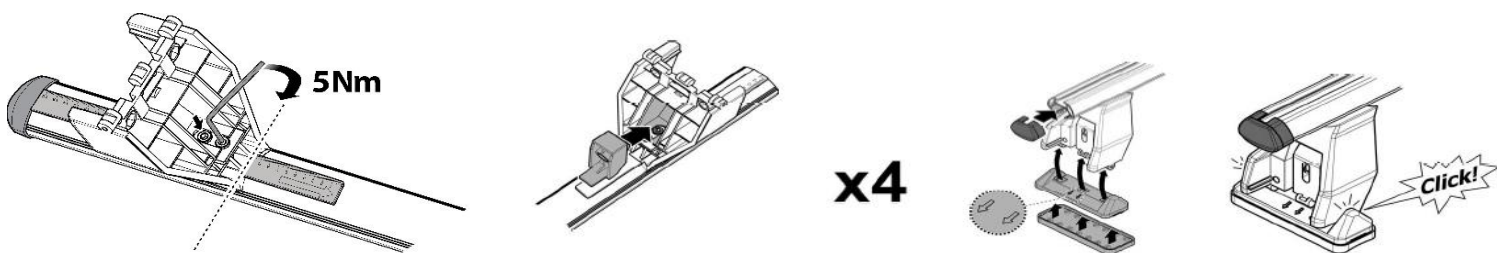


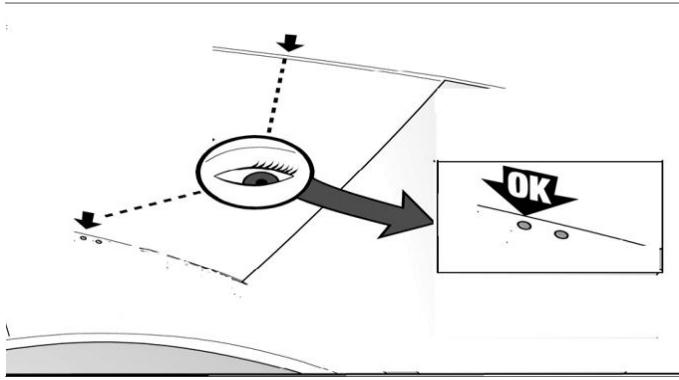
**3**



MANUFACTURER	MODEL CAR	DOORS	MODEL YEAR	B1	B2
PEUGEOT	206	3	98>09	2	2
PEUGEOT	206 Plus	3	09>12	2	2

**4**

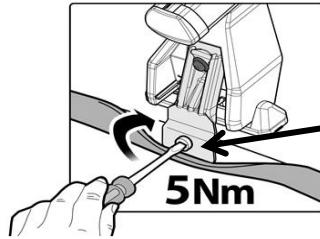
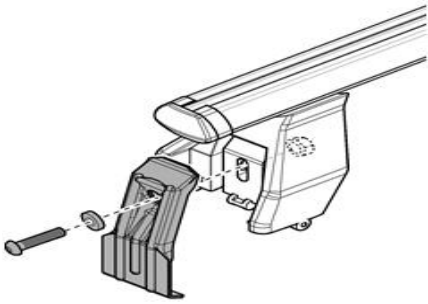




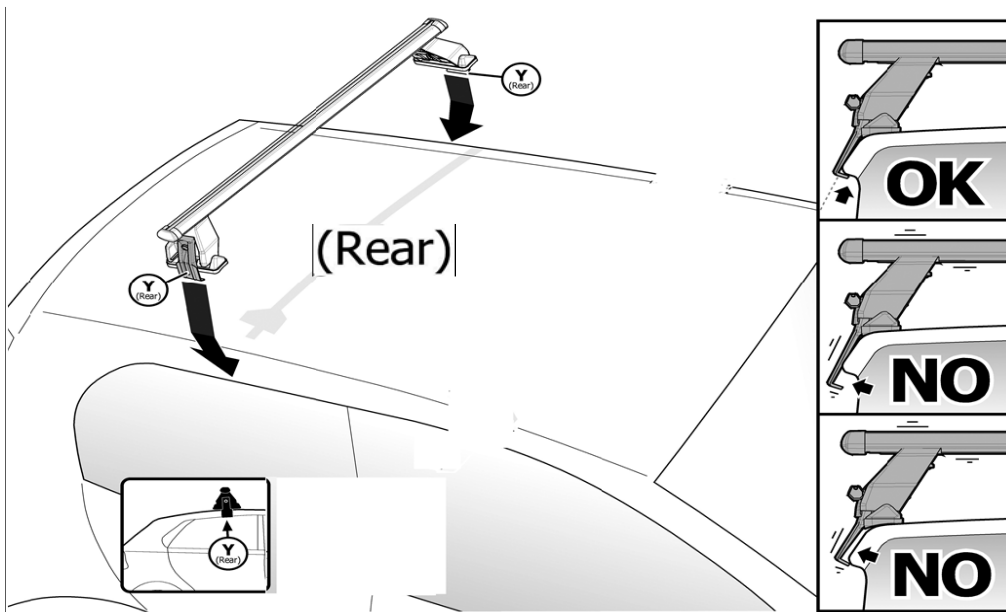
Front  
x



44  
2X



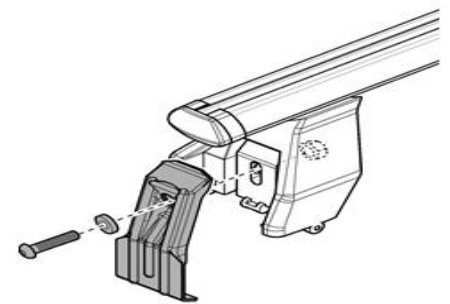
2  $\oplus 16 \times 12$  include - included  
Kit ricambio - Replacement Kit  
70002490000



Rear  
y



9R  
2X



MANUFACTURER	MODEL CAR	DOORS	MODEL YEAR	A1	A2	A1	A2
				cm	cm	in	in
PEUGEOT	206	3	98>09		X		X
PEUGEOT	206 Plus	3	09>12		X		X

X = predisposizione originale /original arrangement