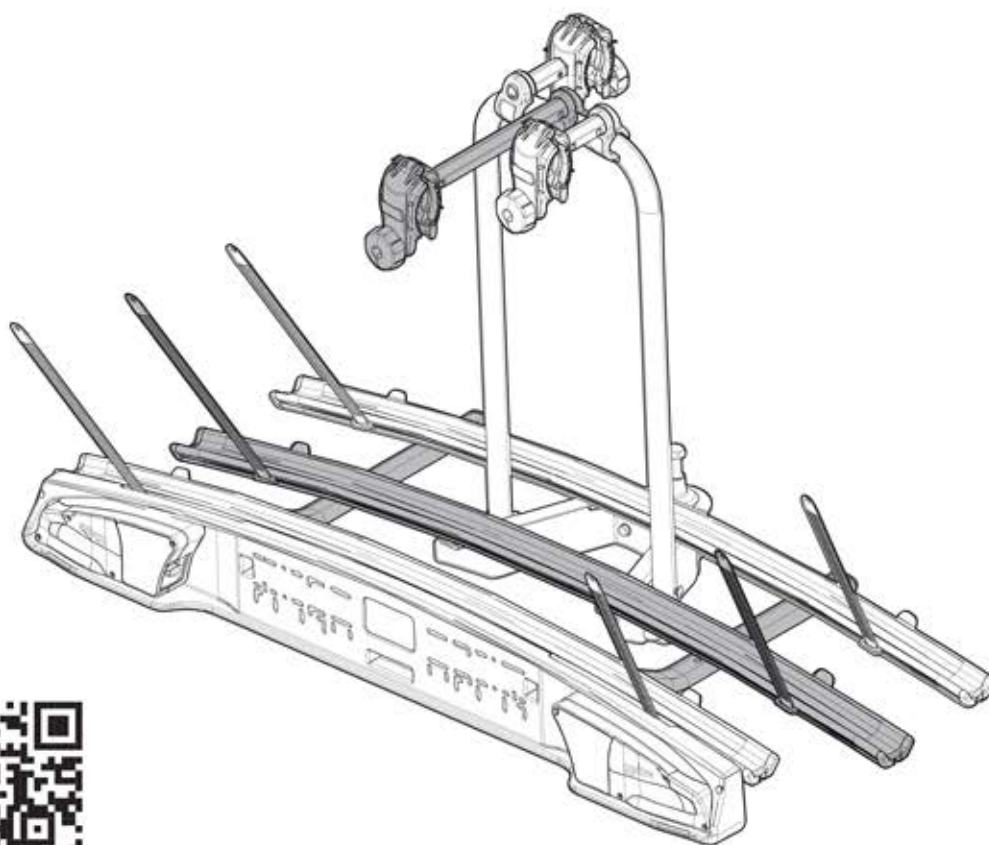


MENABO

free time on the move

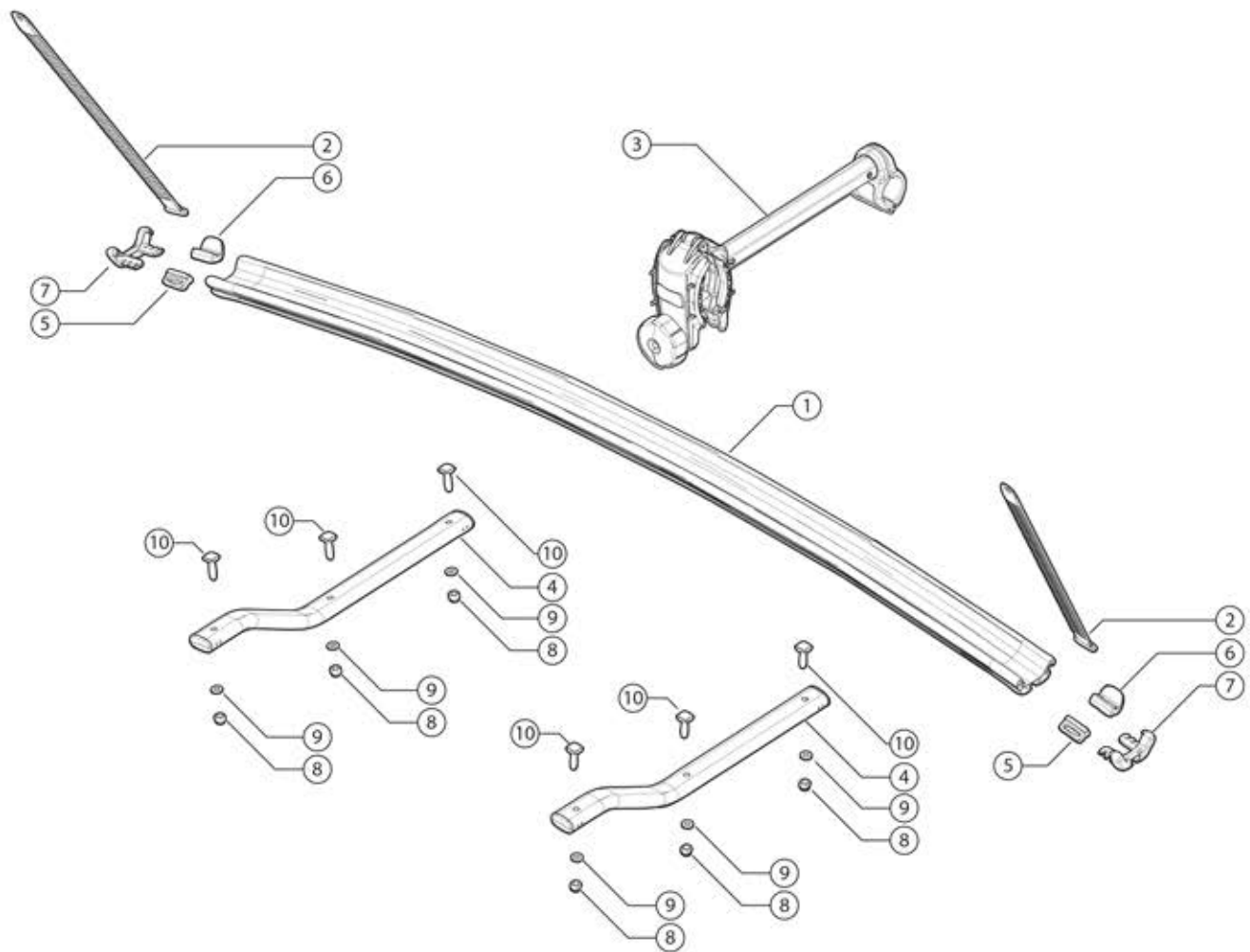
KIT+1 MERAK

IT	Istruzioni di montaggio	LV	Pritvirtinimo instrukcijas
EN	Fitting instructions	NL	Instrukcja montażu
DE	Montageanleitung	NO	Monteringsveiledning
FR	Instructions de montage	PL	Instrukcja montażu
ES	Instrucciones de montaje	PT	Instruções de Montagem
CS	Návod na montáž	RO	Instrucțiuni de montare
DA	Monteringsvejledning	RU	Инструкции по установке
EL	Οδηγίες συναρμολόγησης	SK	Návod na montáž
ET	Paigaldusjuhend	SL	Navodila za pritrjevanje
FI	Asennusohje	SV	Monteringsanvisning
HR	Uputa za sastavljanje	TK	Uydurma talimat
HU	A felszerelés módja	ZH	裝修指導
LT	Stiprināšanas instrukcija	AR	تعليمات التجميع



Made in Italy

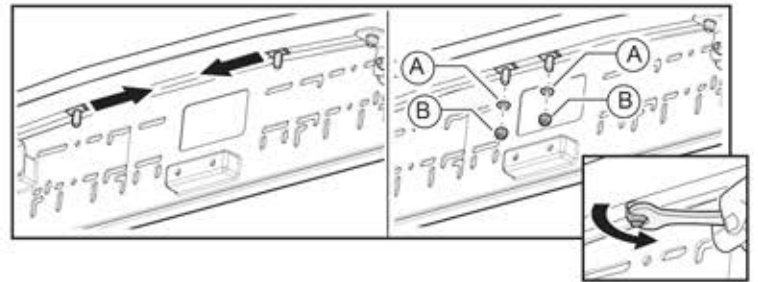
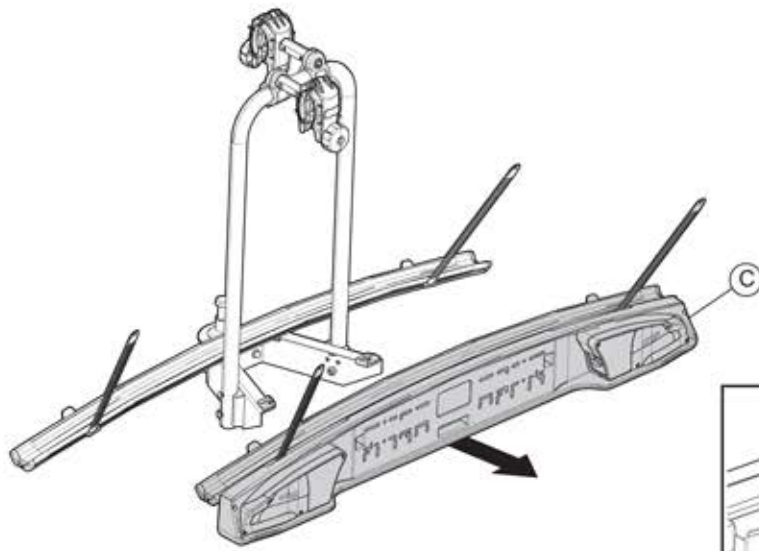
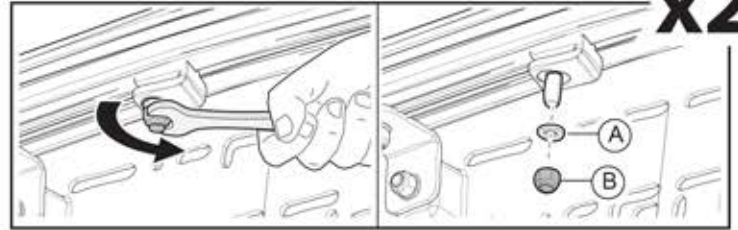
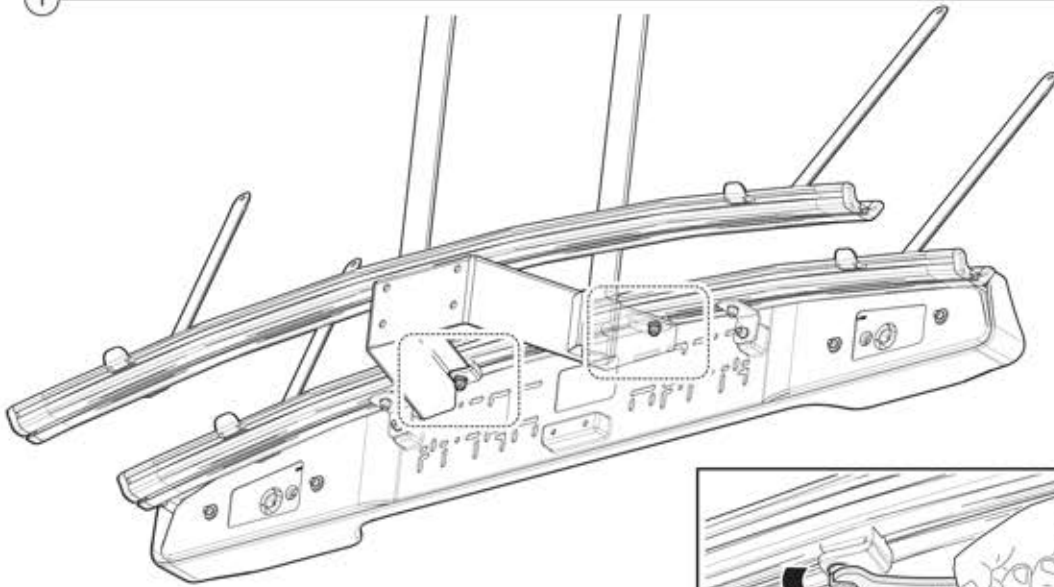




N.	[IT]Componenti (Inclusi) [EN]Components (Included) [FR]Composants (Comprises) [DE]Die Komponenten (im Lieferumfang enthalten) [ES]Componentes (Incluido)	Q.
1		1
2		2
3		1
4		2
5		2
6		2
7		2
8		8
9		8
10		8

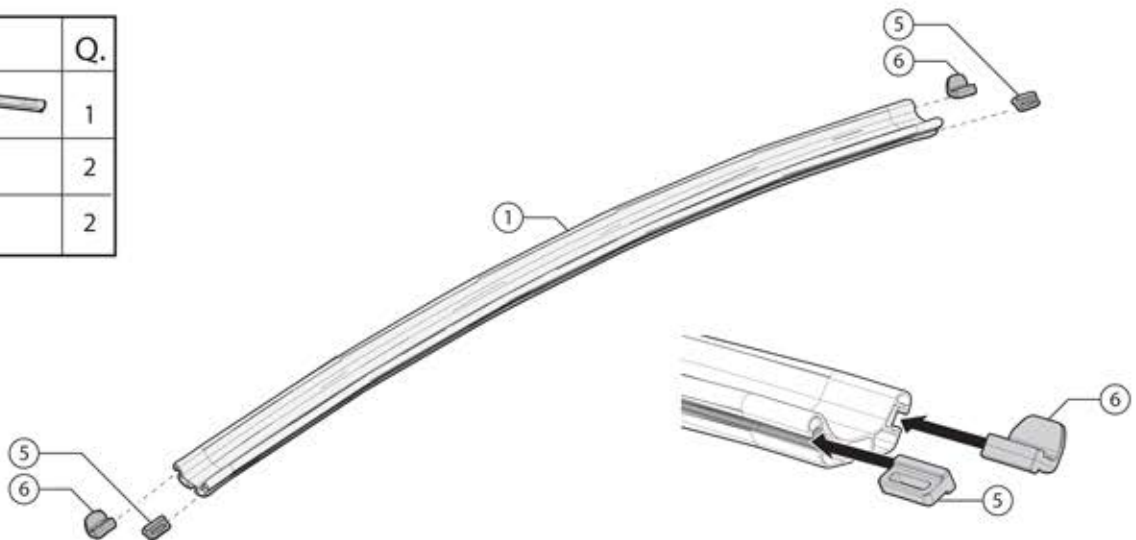
N.	[IT]Ricambi (A Richiesta) [EN]Spare Parts (Made to order) [FR]Pièces de rechange (Sur commande) [DE]E Teile (auf Anfrage) [ES]Piezas de recambio (Previa solicitud)	Q.	Codice-Code-Código
2		1	700003800000
5		2	
6		1	
3		1	700003100000
7		2	700003900000
8		8	700037100000
9		8	
10		8	

①





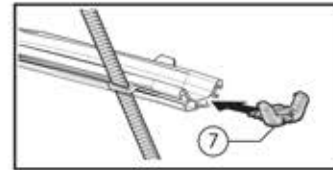
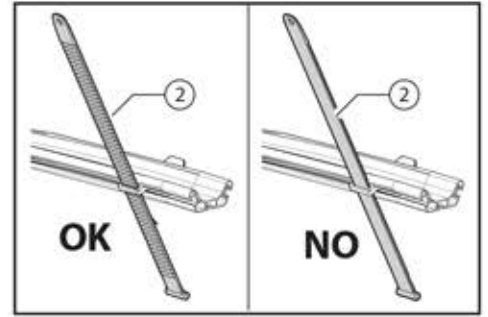
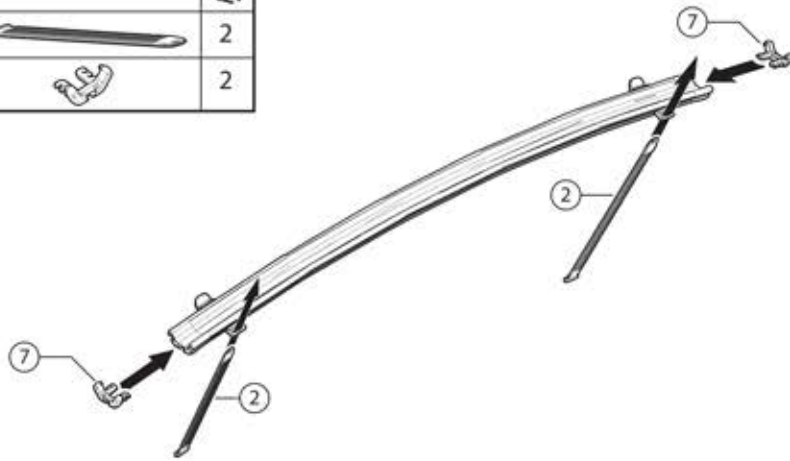
②

N.		Q.
1		1
5		2
6		2



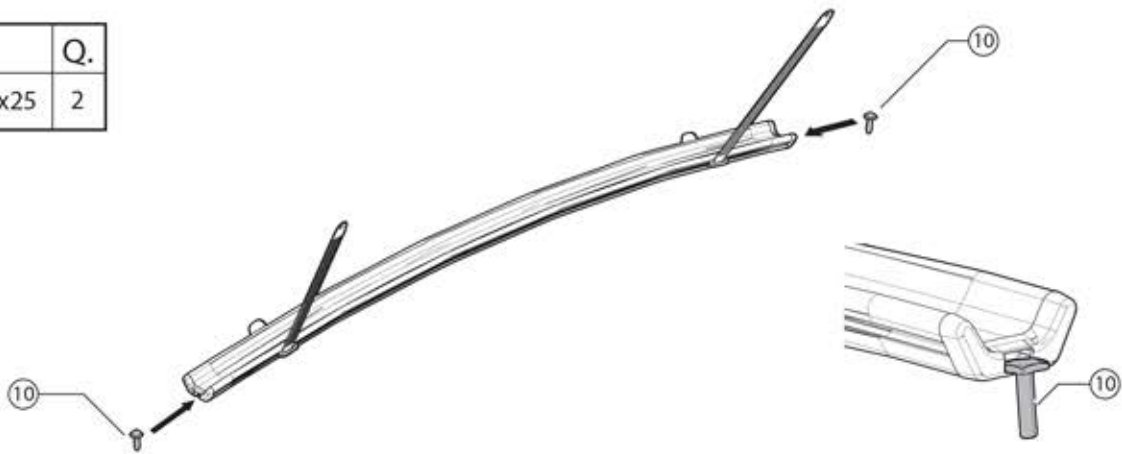
3

N.		Q.
2		2
7		2

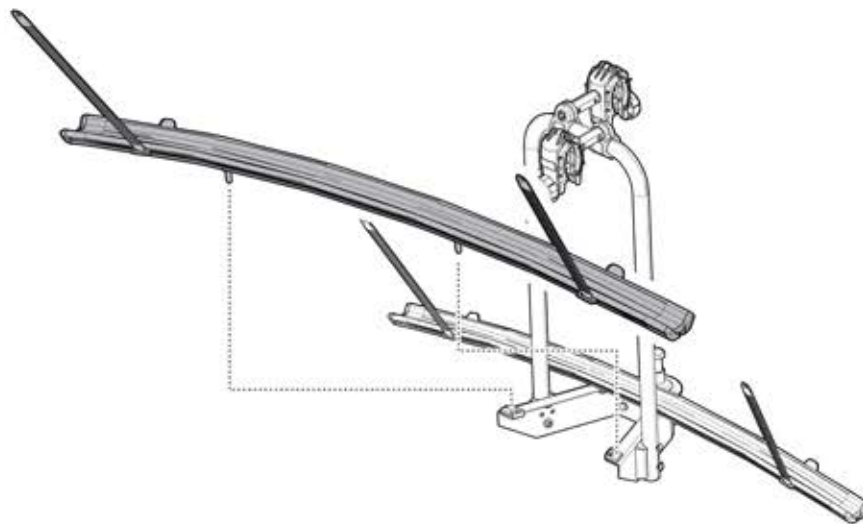




4

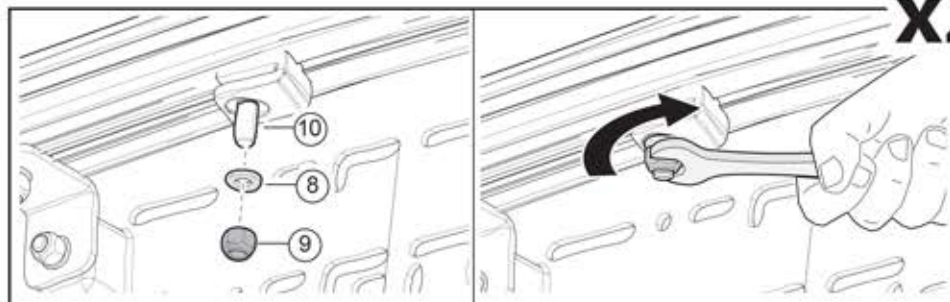
N.		Q.
10	 M6x25	2




5

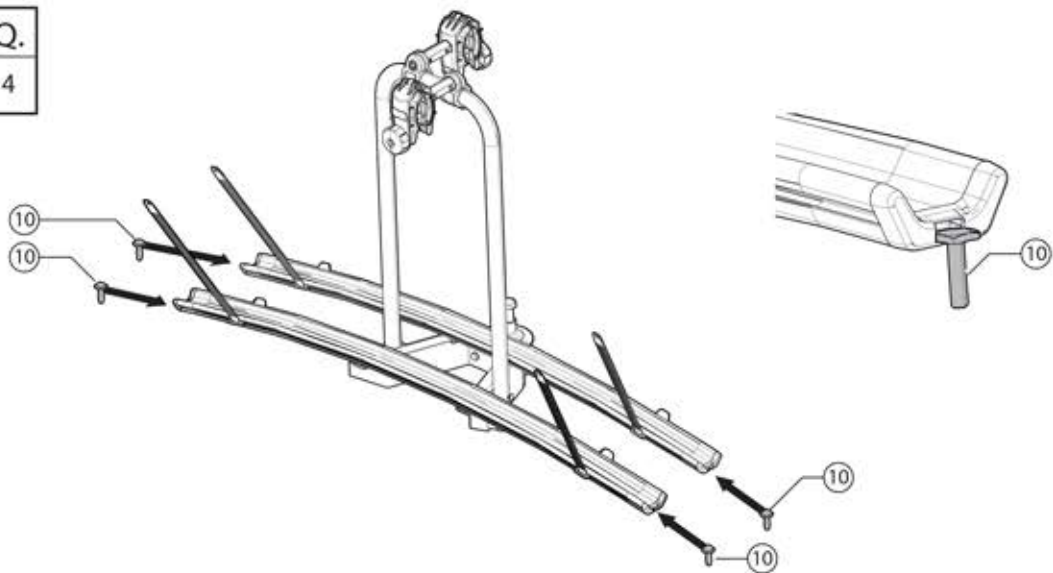


N.		Q.
8	 M6	1
9	 Ø6x12	1






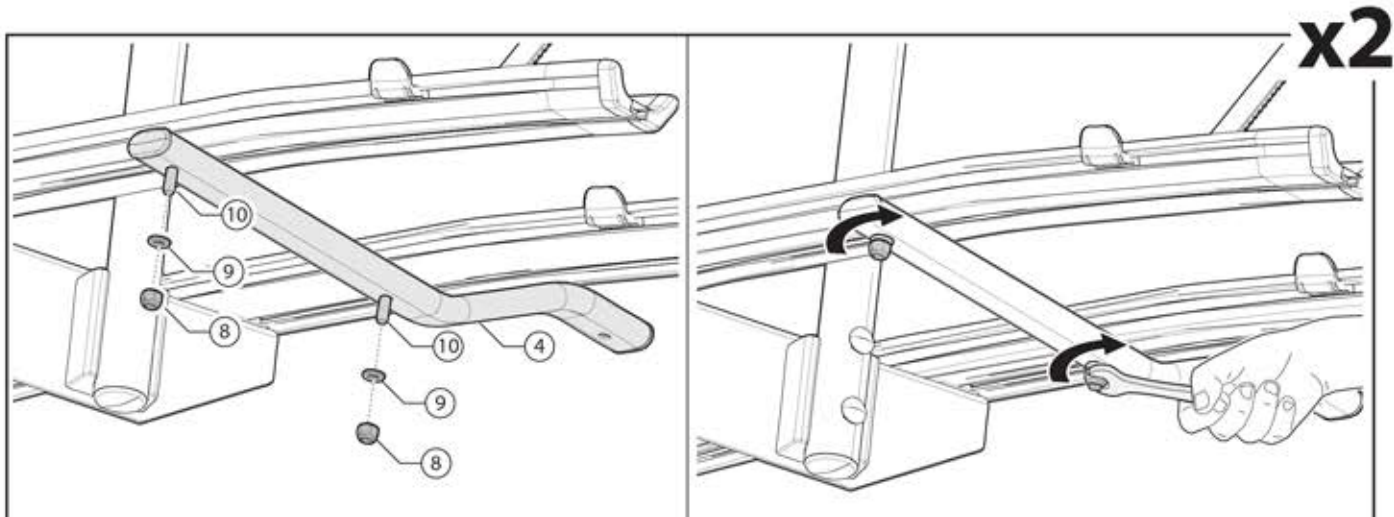
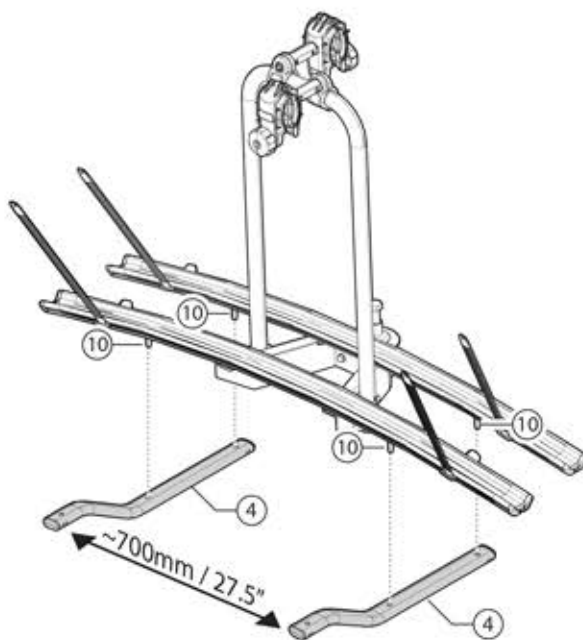
6

N.		Q.
10	 M6x25	4






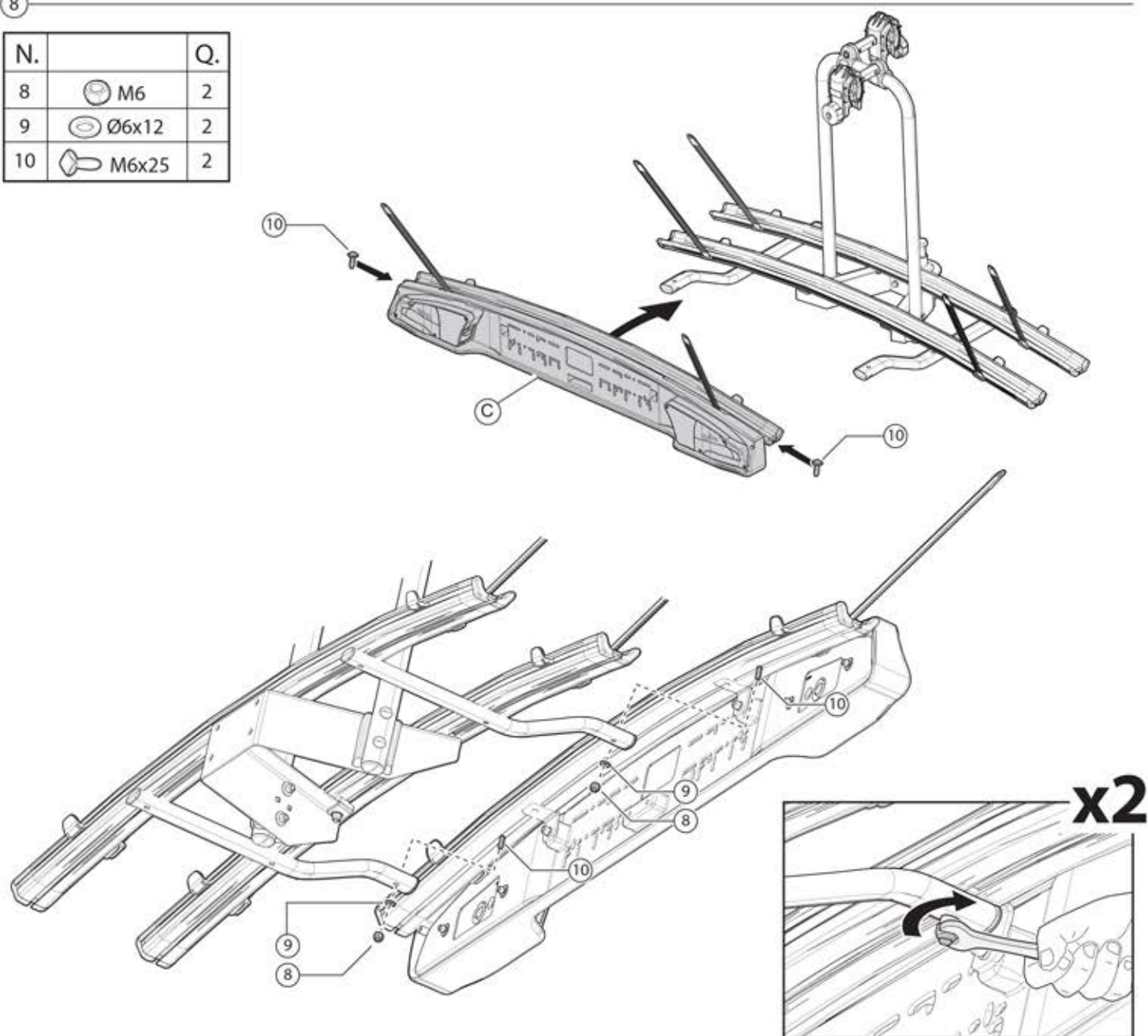
7

N.		Q.
4		1
8	 M6	2
9	 Ø6x12	2




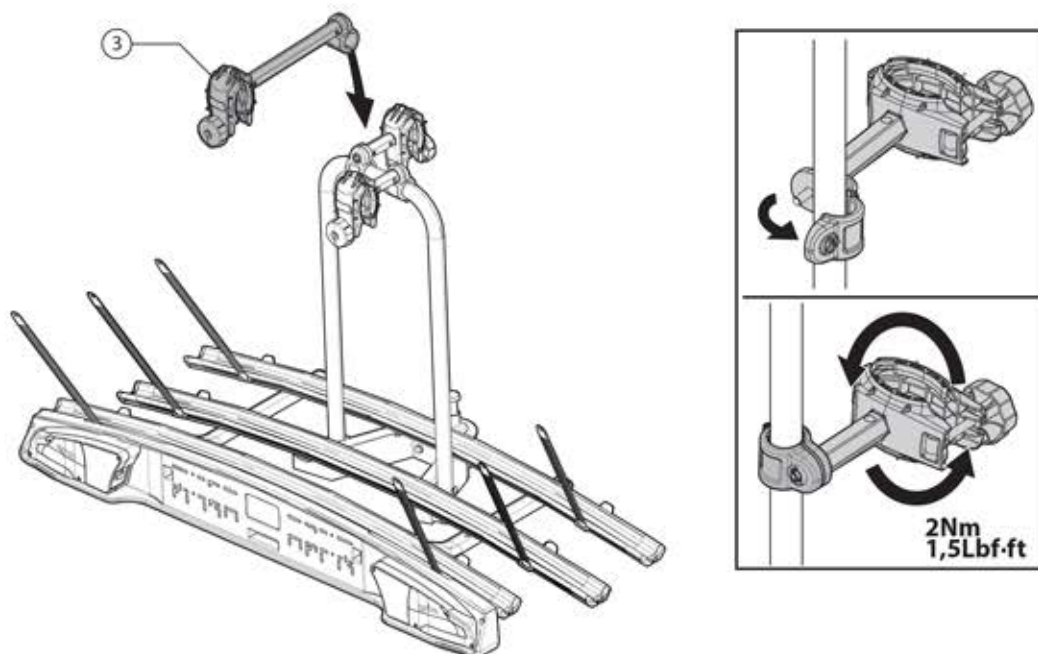
8

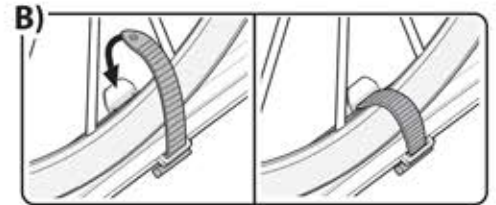
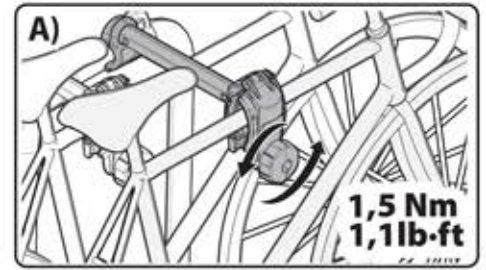
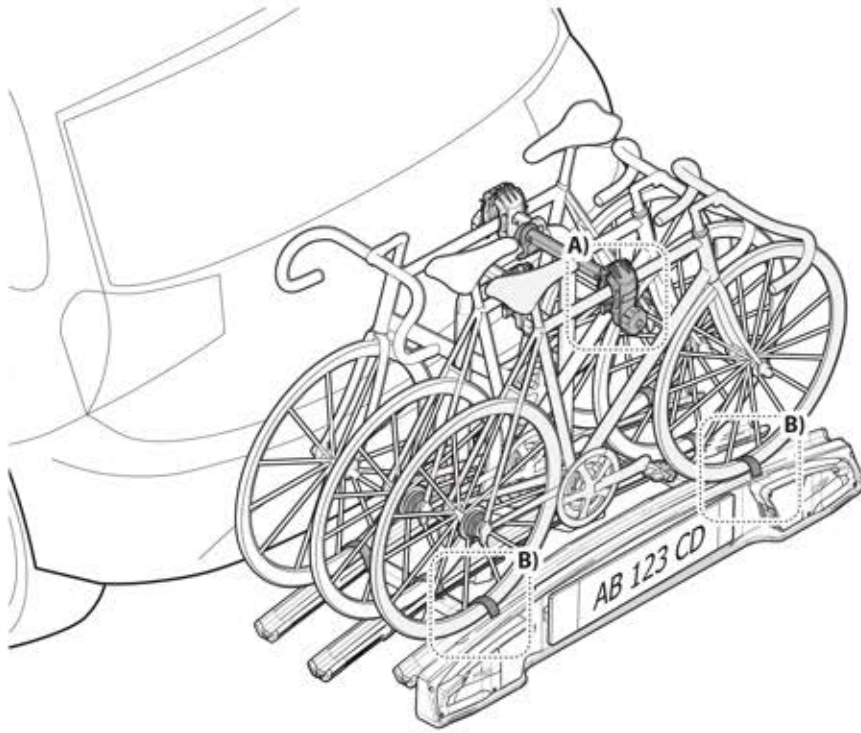
N.		Q.
8	 M6	2
9	 Ø6x12	2
10	 M6x25	2



9

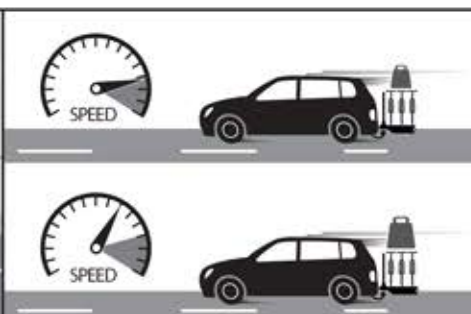
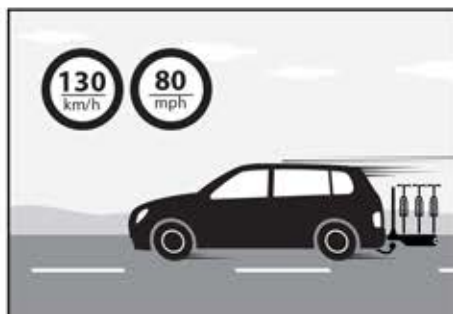
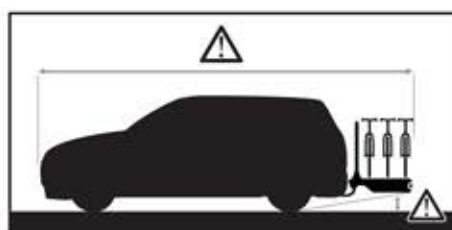
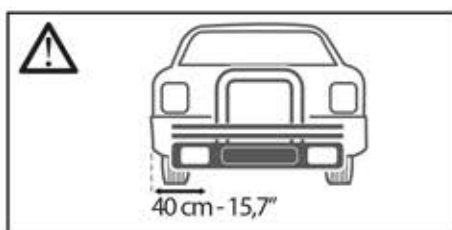
N.		Q.
3		1





MAX 94/20/CE STANDARD	 Merak Type S	 2,5kg / 5.5lb Kit+1	Standard	OR	E-bike	 Car Manual
			x3		x1	
50 kg - 110,2lb	9,6 kg / 21lb	12,1 kg / 26.5lb	MAX 15kg / 33lb		MAX 30kg - 66lb	 MAX 15kg / 33lb MAX 30kg - 66lb
60 kg - 132,3lb			37,9kg / 83.5lb			
70 kg - 154,3lb			45kg / 99lb			
80 kg - 176,4lb			45kg / 99lb			
>80 kg - 176,4lb			45kg / 99lb			
MAX 94/20/CE STANDARD	 Merak Type K	 2,5kg / 5.5lb Kit+1	Standard	OR	E-bike	 Car Manual
			x3		x1	
50 kg - 110,2lb	10,6 kg / 23.3lb	13,1 kg / 28.8lb	MAX 15kg / 33lb		MAX 30kg - 66lb	 MAX 15kg / 33lb MAX 30kg - 66lb
60 kg - 132,3lb			36,9kg / 81.3lb			
70 kg - 154,3lb			45kg / 99lb			
80 kg - 176,4lb			45kg / 99lb			
>80 kg - 176,4lb			45kg / 99lb			
MAX 94/20/CE STANDARD	 Merak Type Q	 2,5kg / 5.5lb Kit+1	Standard	OR	E-bike	 Car Manual
			x3		x1	
50 kg - 110,2lb	11,7kg / 25.8lb	14,2kg / 31.3lb	MAX 15kg / 33lb		MAX 30kg - 66lb	 MAX 15kg / 33lb MAX 30kg - 66lb
60 kg - 132,3lb			35,8kg / 79lb			
70 kg - 154,3lb			45kg / 99lb			
80 kg - 176,4lb			45kg / 99lb			
>80 kg - 176,4lb			45kg / 99lb			

OPTIONAL		
BRACCETTO LUNGO  Art.000104000000	POMELLO ANTIFURTO  Art.000026400000	ADATTATORE 7 PIN  Art.700016400000
EVIDENCE MIRROR  Art.000083100000	RAMPA  Art.000082100000	



F.lli Menabò S.r.l.
 Via 8 Marzo, 3
 42025 Cavriago (RE) Italy
 Tel. +39-0522/942840
 Fax. +39-0522/942948
 e-mail: info@flli-menabo.it
 www.flli-menabo.it

Cod. Istit.	Data	Creato da	Approvato
500034200000	25/10/2019	NP	EL