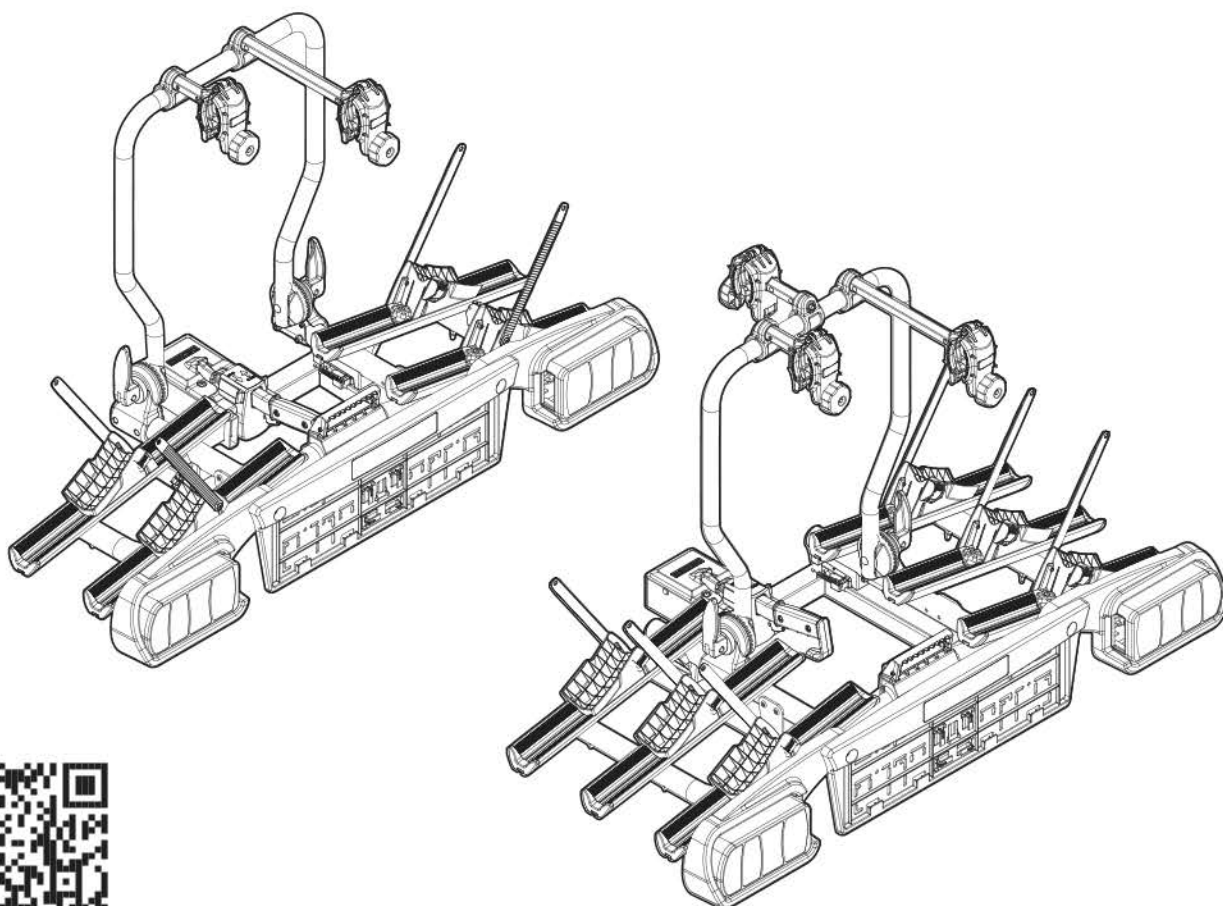


MENABO

your freetime on the move

ALPHARD ALPHARD PLUS














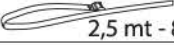

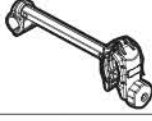


IT	Istruzioni di montaggio	LV	Pritvirtinimo instrukcijas
EN	Fitting instructions	NL	Instrukcja montażu
DE	Montageanleitung	NO	Monteringsveiledning
FR	Instructions de montage	PL	Instrukcja montażu
ES	Instrucciones de montaje	PT	Instruções de Montagem
CZ	Návod na montáž	RO	Instrucțiuni de montare
DA	Monteringsvejledning	RU	Инструкции по установке
EL	Οδηγίες συναρμολόγησης	SK	Návod na montáž
ET	Paigaldusjuhend	SL	Navodila za pritrjevanje
FI	Asennusohje	SV	Monteringsanvisning
HR	Uputa za sastavljanje	TK	Uydurma talimat
HU	A felszerelés módja	ZH	裝修指導
LT	Stiprināšanas instrukcija	AR	تعليمات التجميع








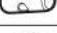


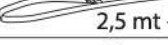










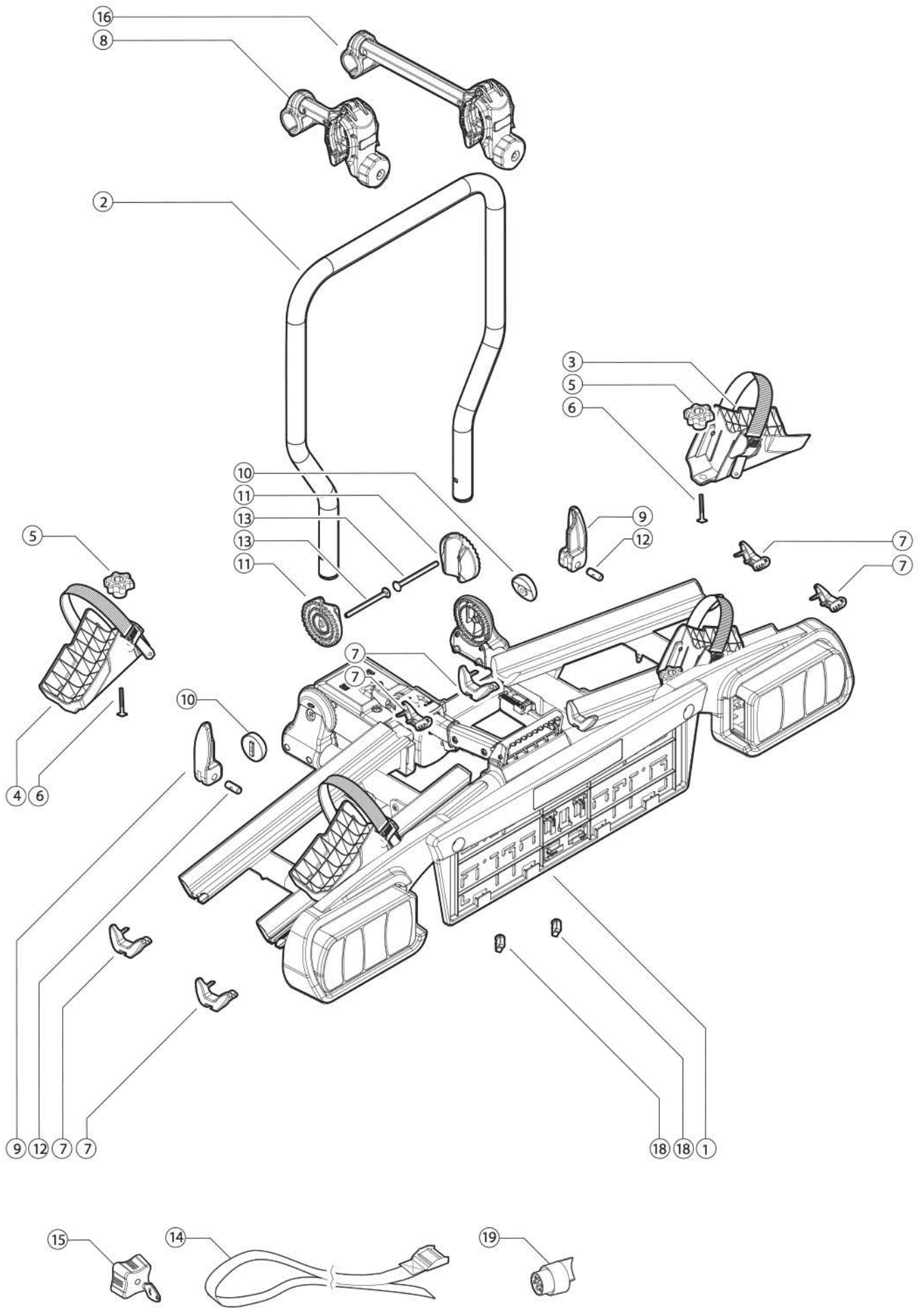
Made in Italy



ALPHARD

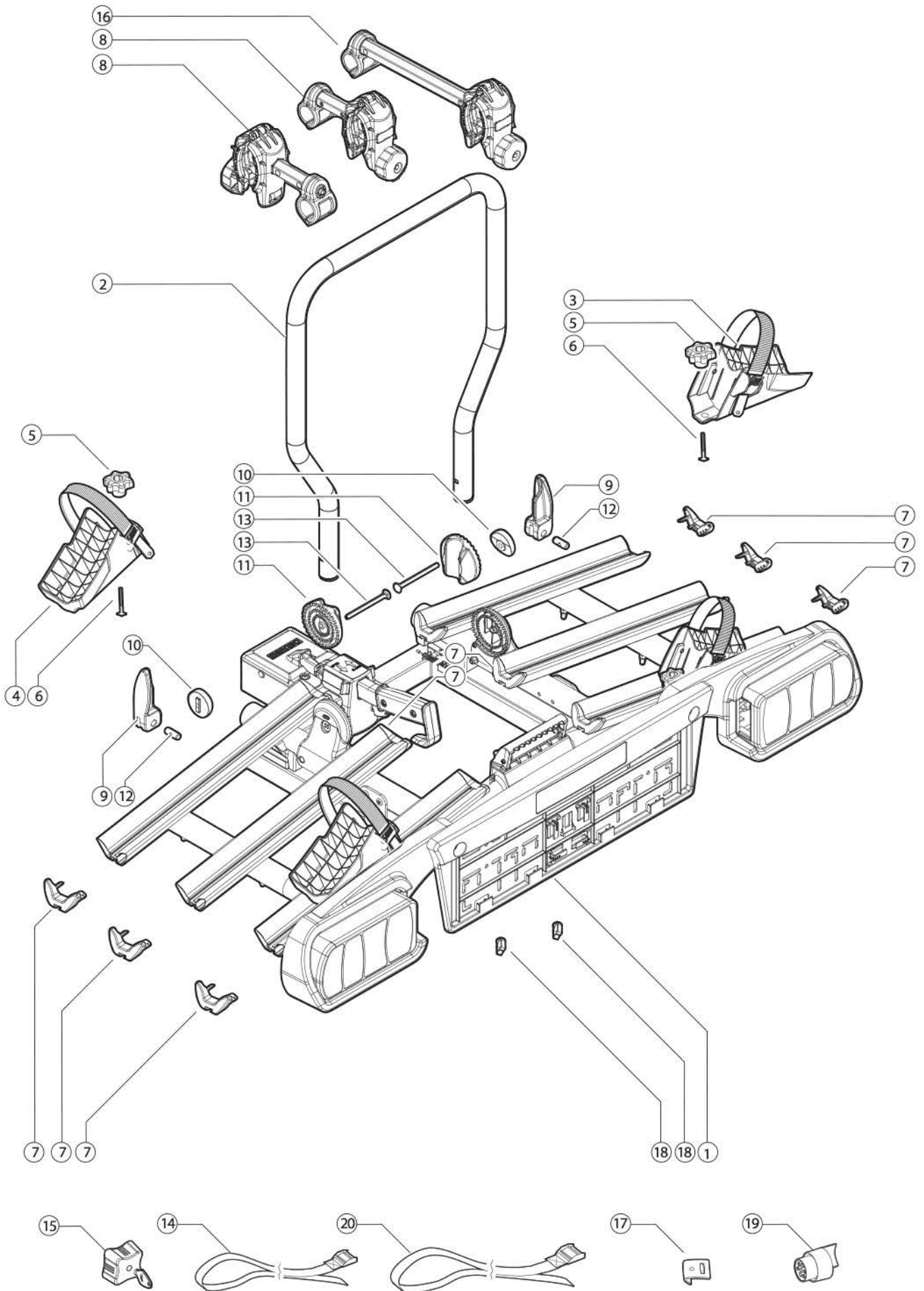
N	<ul style="list-style-type: none"> ■ Componenti (Inclusi) ■ Components (Included) ■ Composants (Comprises) 	<ul style="list-style-type: none"> ■ Die Komponenten (im Lieferumfang enthalten) ■ Componentes (Incluido) ■ Компоненты (в комплекте) 	Q
1			1
2			1
3	 DX		2
4	 SX		2
5			4
6	 6x25		4
7			6
8			1
9			2
10			2
11			2
12			2
13	 M6x80		2
14	 2,5 mt - 8,2ft		1
15			2
16			1
18			2
19			1

N	<ul style="list-style-type: none"> ■ Ricambi (A Richiesta) ■ Spare Parts (Made to order) ■ Pièces de rechange (Sur commande) 	<ul style="list-style-type: none"> ■ E Teile (auf Anfrage) ■ Piezas de recambio (P.evia solicitud) ■ Запасные части (по запросу) 	Q	Codice - Code Código - код
3	 DX		1	700017400000
4	 SX		1	
5			1	700001300000
6	 6x25		1	
7			2	700015500000
8			1	700003200000
9			1	700021600000
12			1	
10			2	700023100000
11			2	700007000000
14	 2,5 mt - 8,2ft		1	700001100000
15			1	000026400000
16			1	700003100000
19			1	700016400000
A			1	700021200000
B	 SX		1	700021300000
C	 DX		1	700021400000
D			1	700013700000
E			1	700003300000



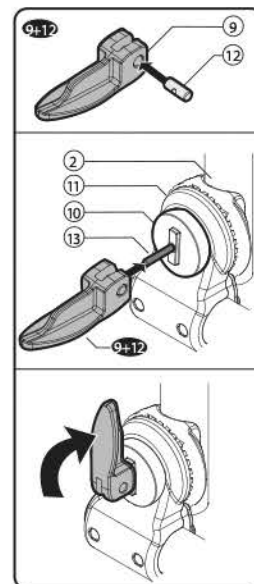
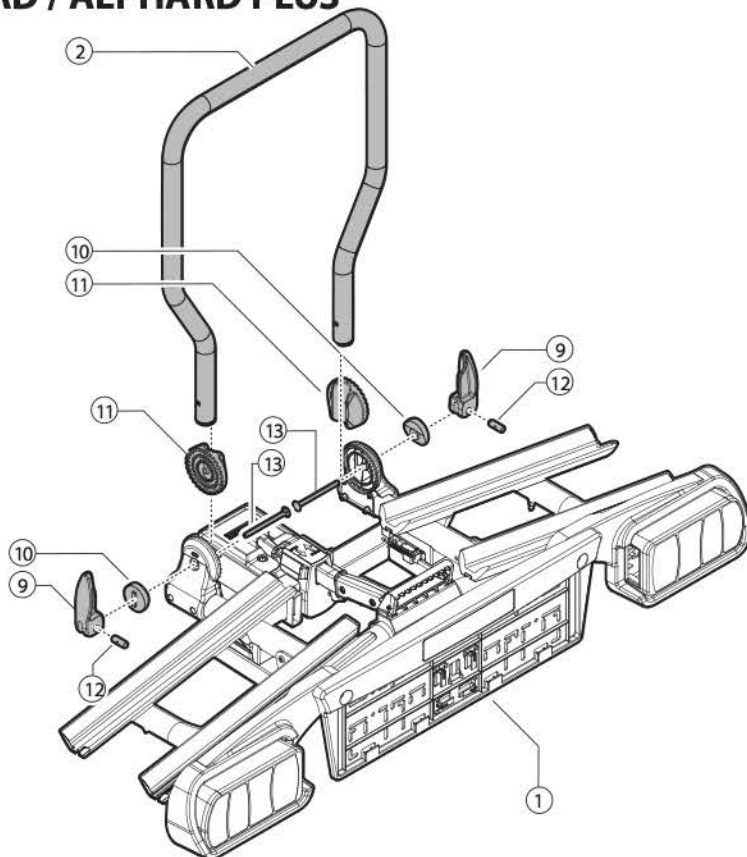
ALPHARD PLUS

N	<ul style="list-style-type: none"> ■ Componenti (Inclusi) ■ Components (Included) ■ Composants (Comprises) 	<ul style="list-style-type: none"> ■ Die Komponenten (im Lieferumfang enthalten) ■ Componentes (Incluido) ■ Компоненты (в комплекте) 	Q	N	<ul style="list-style-type: none"> ■ Ricambi (A Richiesta) ■ Spare Parts (Made to order) ■ Pièces de rechange (Sur commande) 	<ul style="list-style-type: none"> ■ E Teile (auf Anfrage) ■ Piezas de recambio (P.evia solicitud) ■ Запасные части (по запросу) 	Q	Codice - Code Código - код
1			1	3	 DX		1	700017400000
				4	 SX		1	
2			1	5			1	700001300000
3	 DX		3	6	 6x25		1	
4	 SX		3	7			2	700015500000
5			6	8			1	700003200000
6	 6x25		6	9			1	700021600000
7			10	12			1	
8			2	10			2	700023100000
9			2	11			2	700007000000
10			2	14	 2,5 mt - 8,2ft		1	700001100000
11			2	15			1	000026400000
12			2	16			1	700003100000
13	 M6x80		2	17			1	700004700000
14	 2,5 mt - 8,2ft		1	19			1	700016400000
15			3	20	 5 mt - 16,4ft		1	700004800000
16			1	A			1	700021200000
17			1	B	 SX		1	700021300000
18			2	C	 DX		1	700021400000
19			1	D			1	700013700000
20	 5 mt - 16,4ft		1	E			1	700003300000



① ALPHARD / ALPHARD PLUS

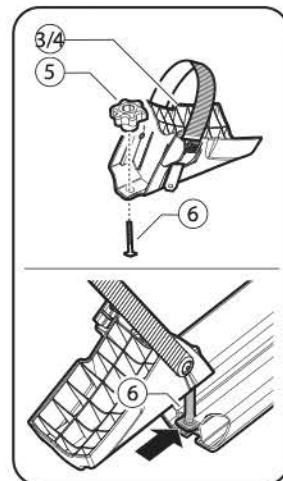
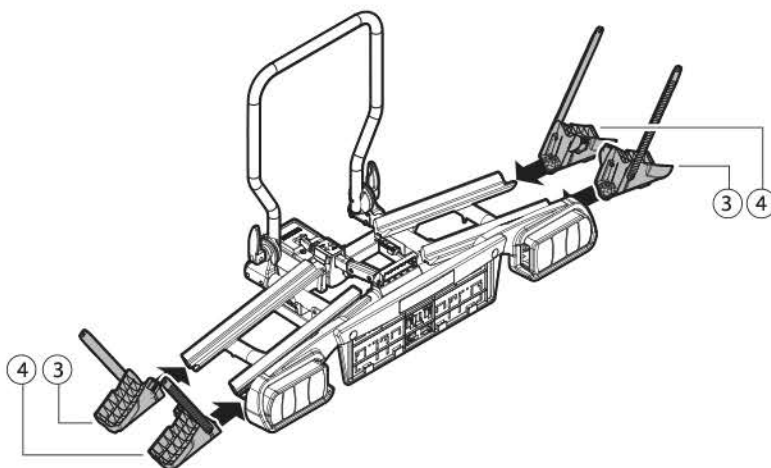
N		Q
1		1
2		1
9		2
10		2
11		2
12		2
13		2



②

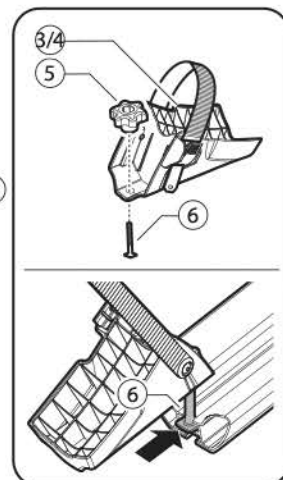
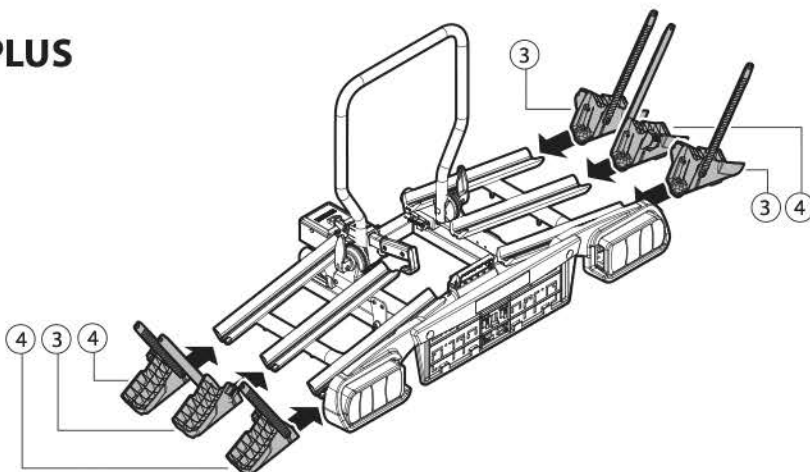
ALPHARD

N		Q
3	DX	2
4	SX	2
5		4
6	6x25	4







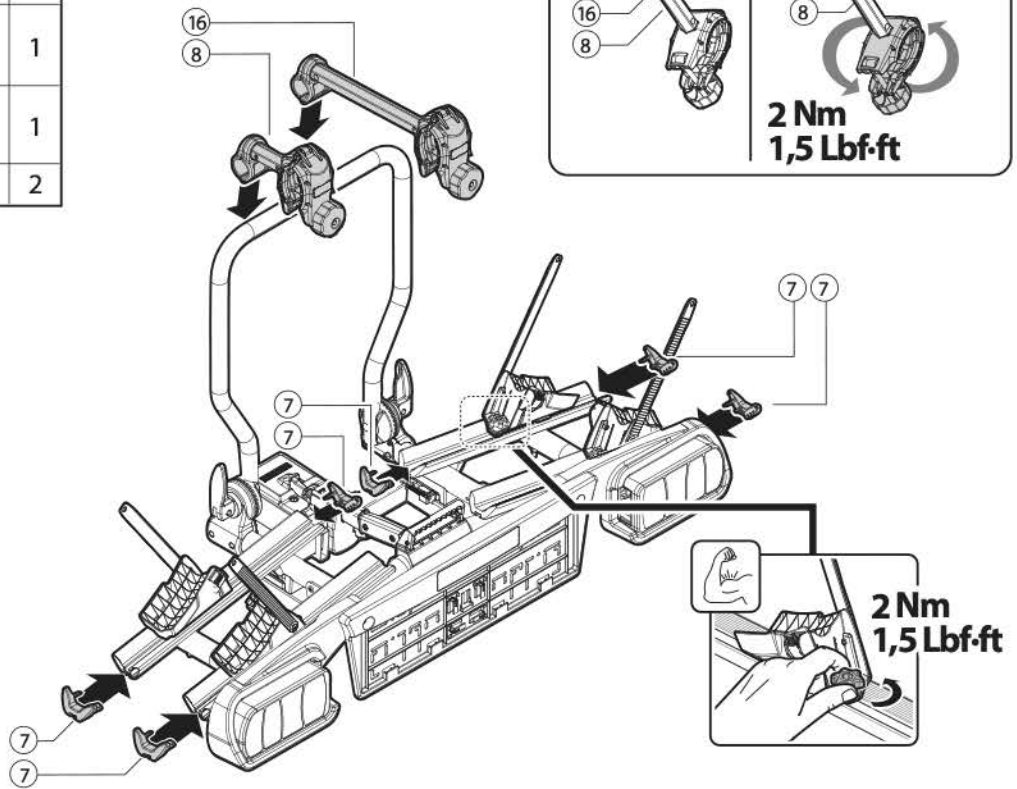
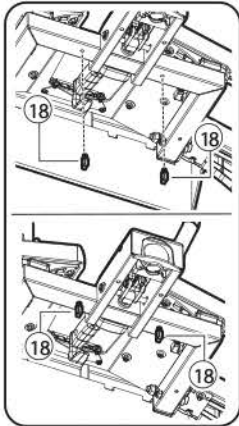
ALPHARD PLUS

N		Q
3	DX	3
4	SX	3
5		6
6	6x25	6







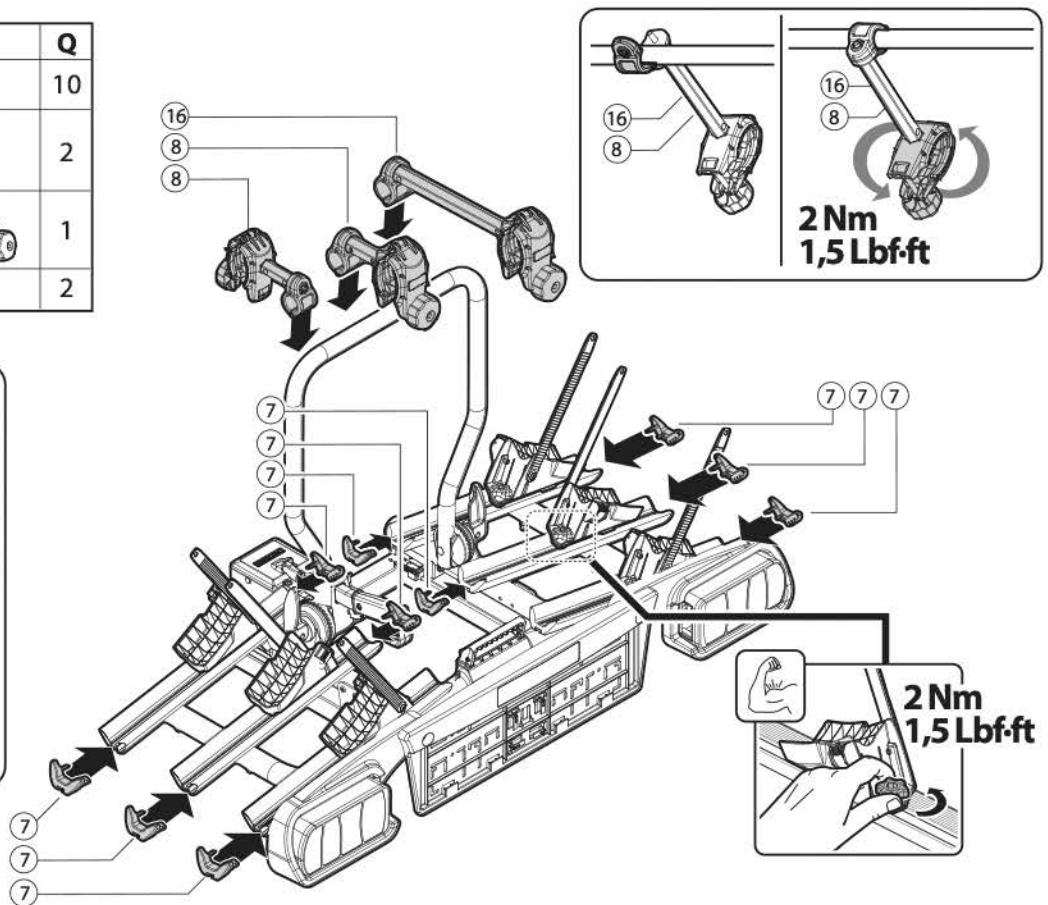
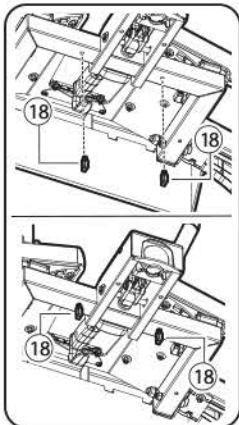
3 ALPHARD

N		Q
7		6
8		1
16		1
18		2

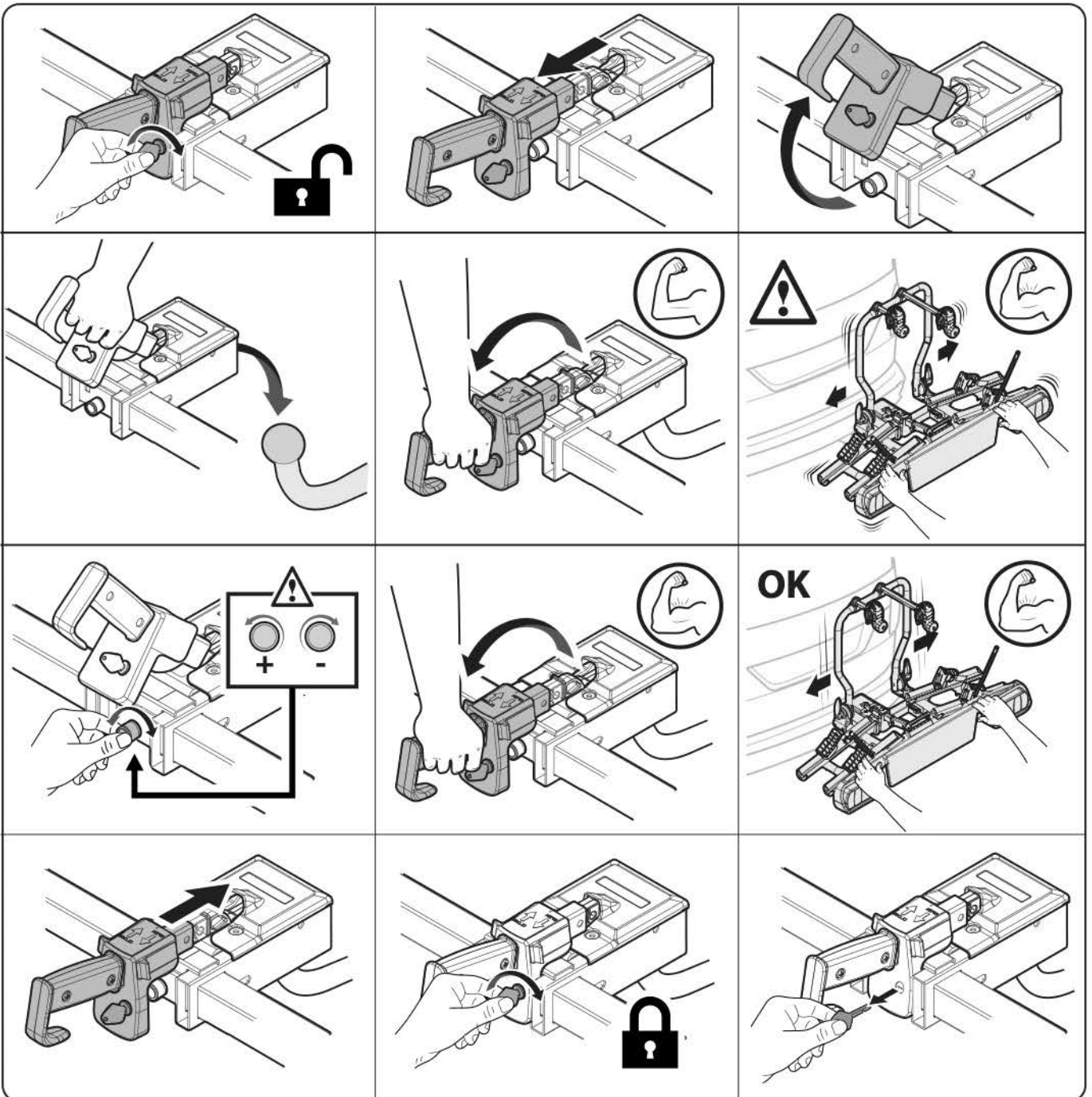
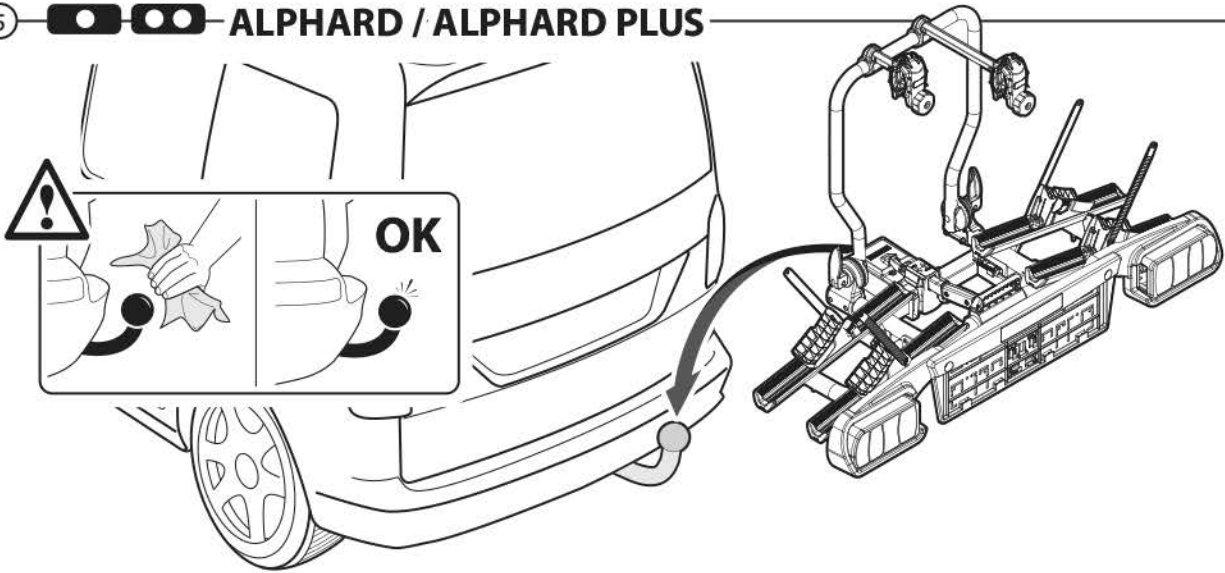


4 ALPHARD PLUS

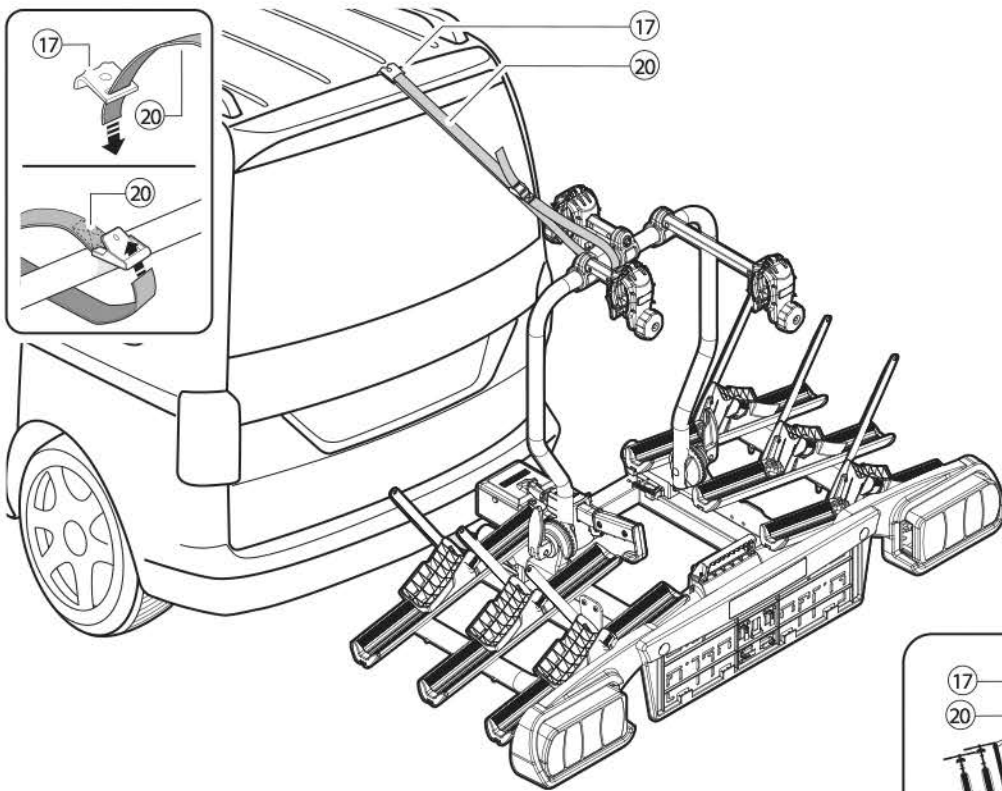
N		Q
7		10
8		2
16		1
18		2





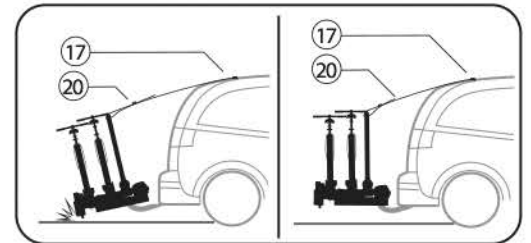
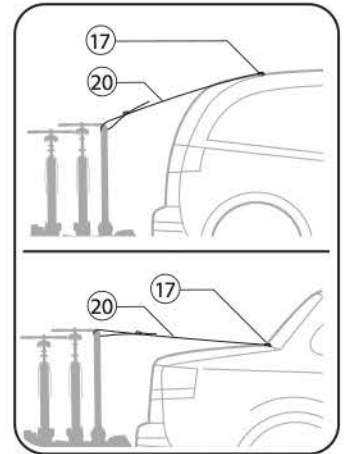
⑤ **ALPHARD / ALPHARD PLUS**



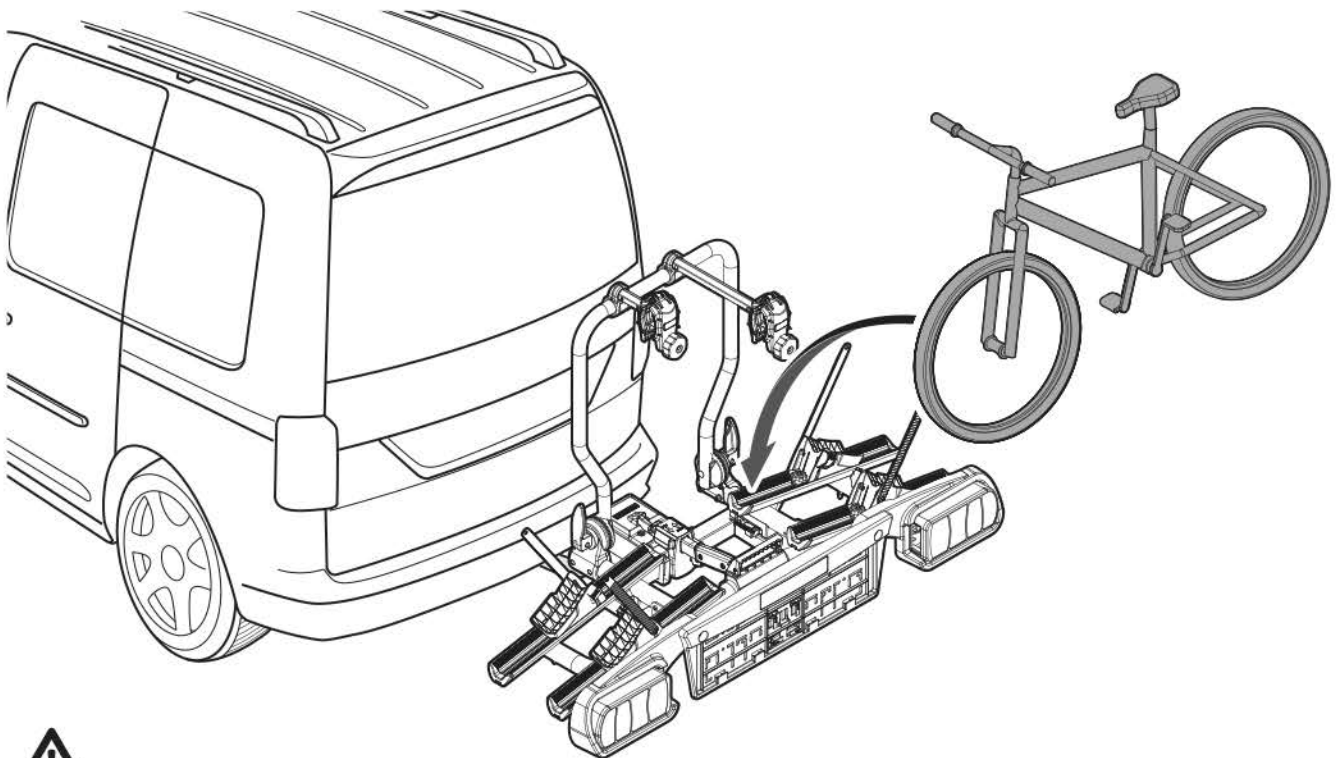
6  **ALPHARD PLUS**



N		Q
20	 5 mt - 16,4ft	1
17		1



7  **ALPHARD / ALPHARD PLUS**



● **MIN** Ø30 mm / 1,2"
MAX Ø50 mm / 2"

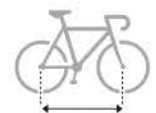
● **MIN** 30x60 mm / 1,2"x2,4"
MAX 50x70 mm / 2"x2,7"



MIN 22"
MAX 29"



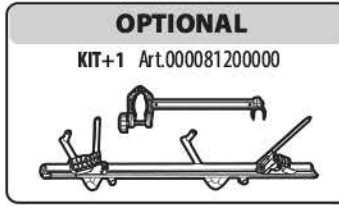
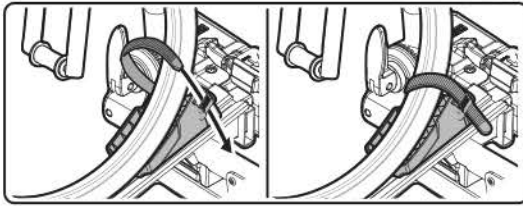
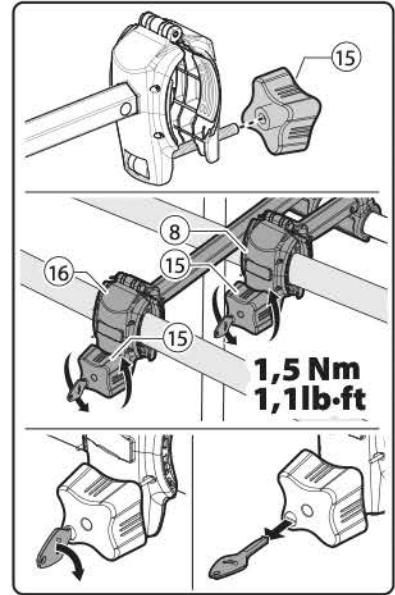
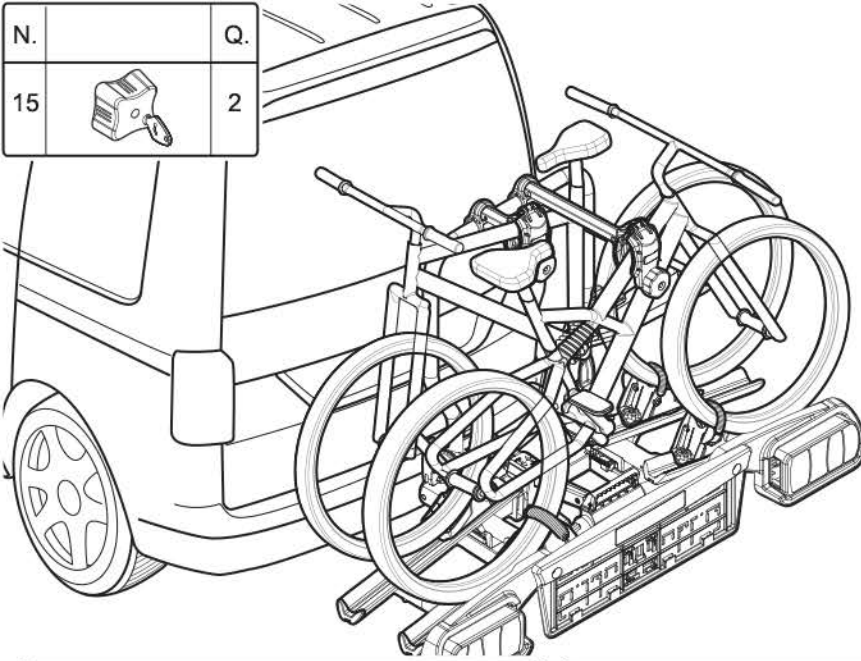
MAX 75mm / 29,5"



MAX 125cm / 49,2"

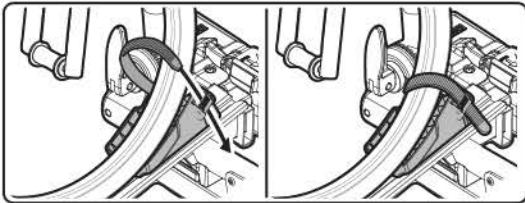
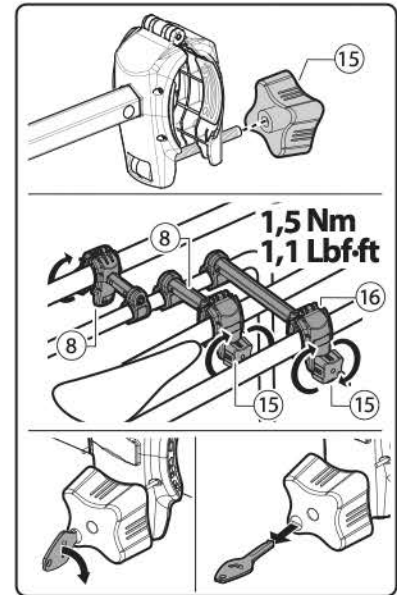
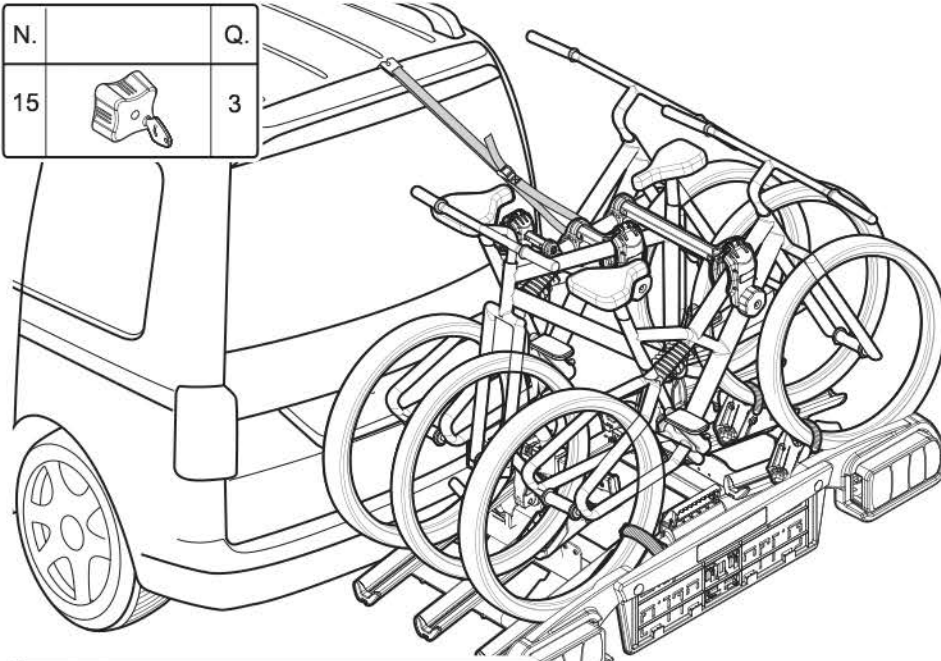
8 **ALPHARD**

N.	Q.
15	2

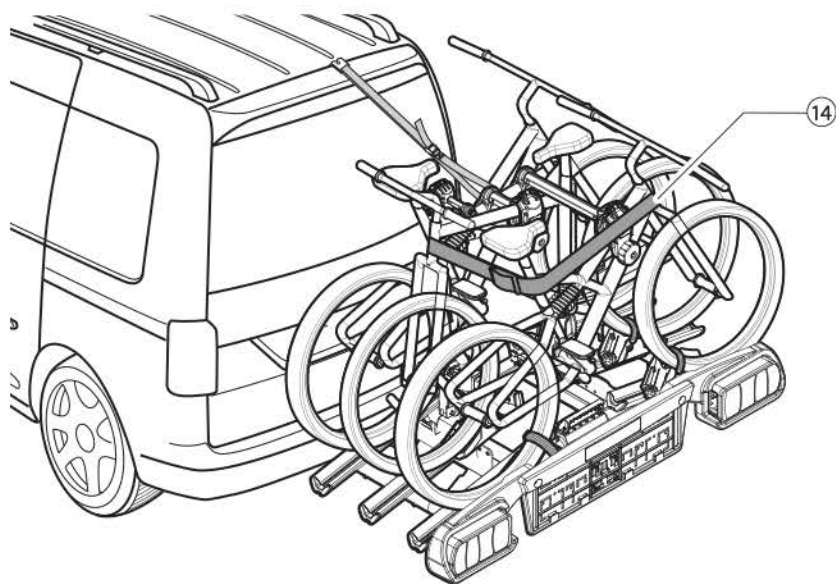



9 **ALPHARD PLUS**

N.	Q.
15	3

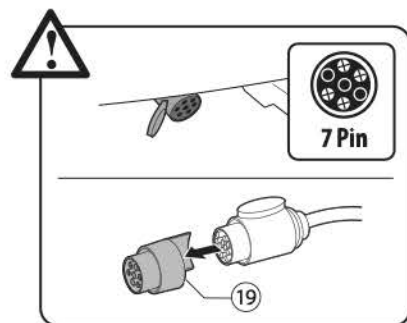
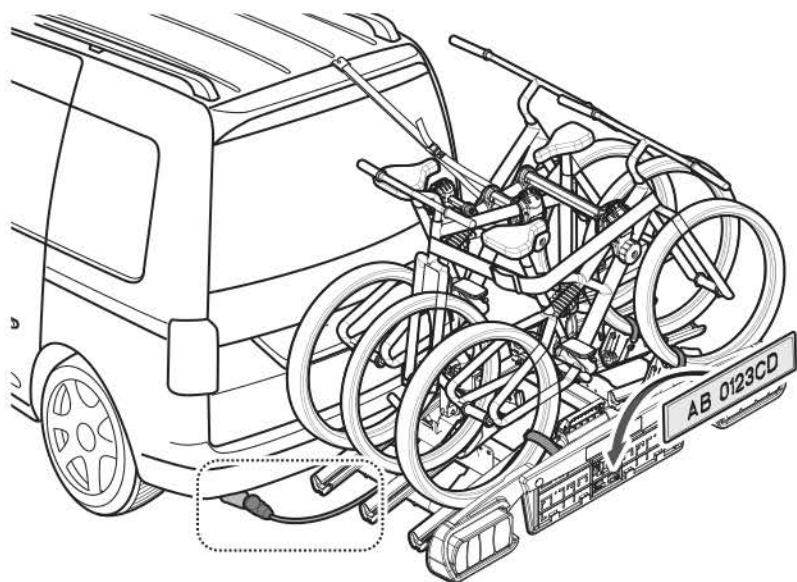


10  **ALPHARD / ALPHARD PLUS**

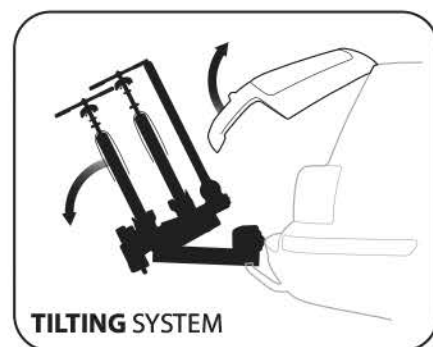
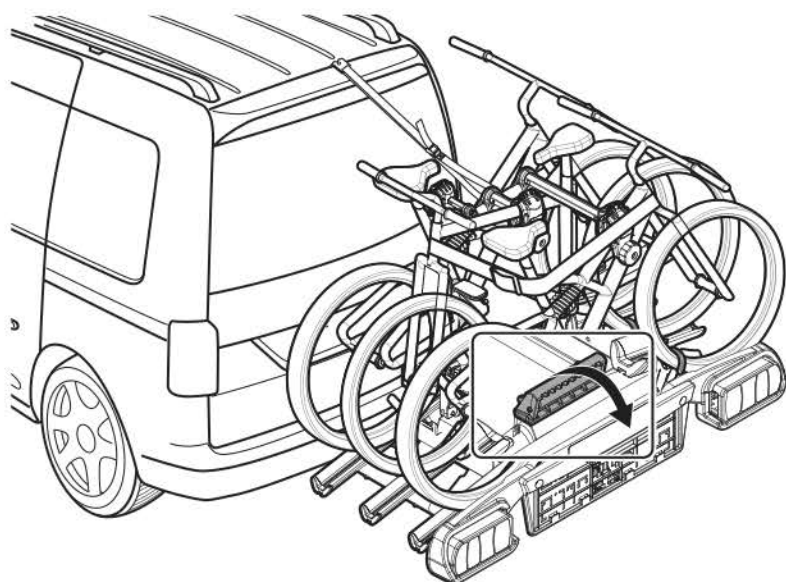


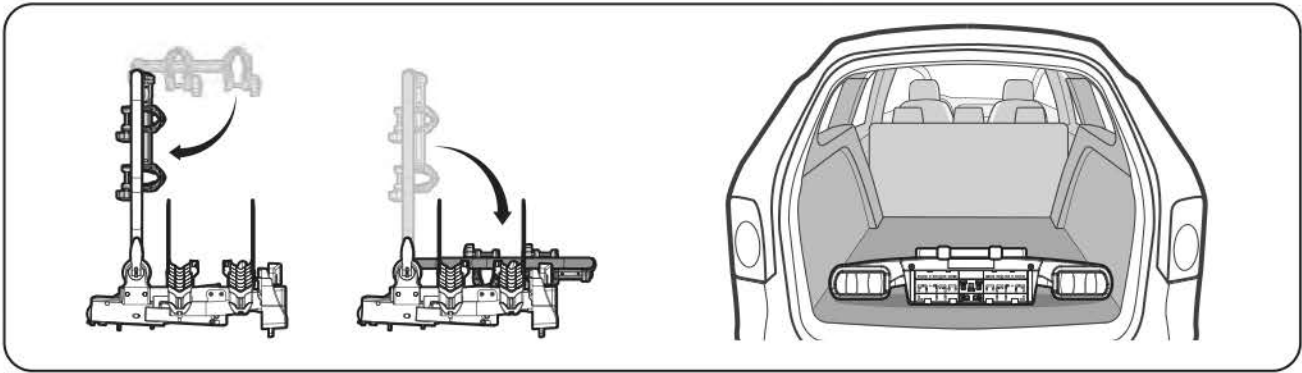
N		Q
14	 2,5 mt - 8,2ft	1

11  **ALPHARD / ALPHARD PLUS**



12  **ALPHARD / ALPHARD PLUS**





MAX 94/20/CE STANDARD	 Alphard	Standard x2	E-bike x2	 Alphard plus	Standard x3	E-bike x2	 KG
		 OR	 OR		 OR		
50 kg - 110,2lb	16,2 kg - 36,3lbs	33,8 kg - 74,5lb		18,4 kg - 40,5lb	31,6 kg - 69,6 lb		
60 kg - 132,3lb		43,8 kg - 96,5lb			41,6 kg - 91,7 lb		
>60 kg - 132,3lb		50 kg - 110,2 lb			50 kg - 110,2 lb		

OPTIONALS

BRACCETTO DOPPIO Art.000104100000	BRACCETTO CORTO Art.000103900000	BRACCETTO LUNGO Art.000104000000	EVIDENCE Art.000083100000	RAMPA Art.000082100000
---	--	--	---	--------------------------------------

 No Tandem 	 40 cm - 15,7"	
--------------------------	-----------------------	----------

 	 SPEED 	
	 SPEED 	

F.lli Menabò S.r.l.
 Via 8 Marzo, 3
 42025 Cavriago (RE)
 Tel. +39-0522/942840
 Fax. +39-0522/942948
 e-mail: info@flli-menabo.it
 www.flli-menabo.it

Cod. Istr.	Data	Creto da	Appr. da
500012000000	01/06/2018	NP	EL