

## OMEGA

IT Istruzioni di montaggio

EN Fitting instructions

DE Montageanleitung

FR Instructions de montage

ES Instrucciones de montaje

BG инструкции за сглобяване

CS Návod na montáž

DA Monteringsvejledning

EL Οδηγίες συναρμολόγησης

ET Paigaldusjuhend

FI Asennusohje

HR Uputa za sastavljanje

HU A felszerelés módja

LT Pritvirtinimo instrukcijos

LV Stiprināšanas instrukcija

NL Montagehandleiding

NO Monteringsanvisning

PL Instrukcja montażu

PT Instruções de Montagem

RO Instrucțiuni de montare

RU Инструкции по установке

SK Návod na montáž

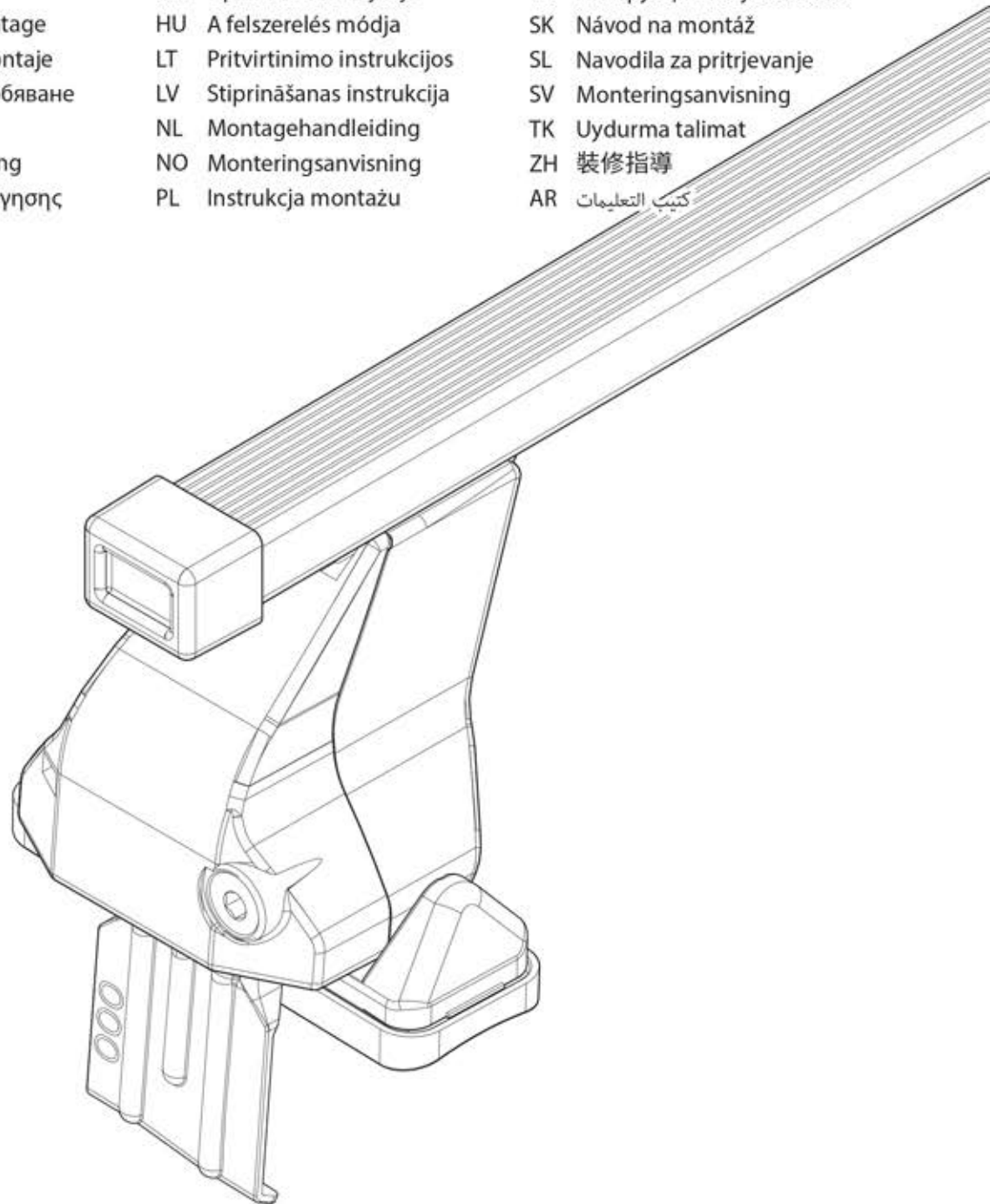
SL Navodila za pritrjevanje

SV Monteringsanvisning

TK Uydurma talimat

ZH 裝修指導

AR كتيب التعليمات



## FIXING KIT

N.	[IT]Componenti (Inclusi) [EN]Components (Included) [FR]Composants (Comprises) [DE]Die Komponenten (im Lieferumfang enthalten) [ES]Componentes (Incluido)	Q.	[IT]Ricambi (A Richiesta) [EN]Spare Parts (Made to order) [FR]Pièces de rechange (Sur commande) [DE]E Teile (auf Anfrage) [ES]Piezas de recambio (Previa solicitud)	Q.
0		1	Codice-Code-Código	Q.
1		2/4	700029100000	1
2		2/4		1
3		2/4	700029200000	1
4		2/4		1
5		2	-	-
6		2	-	-
7		4	700008600000	4
8		4		4

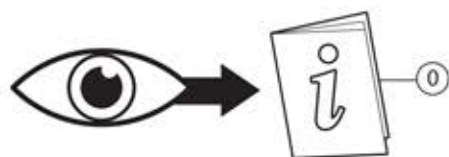
## MAIN KIT

N.	[IT]Componenti (Inclusi) [EN]Components (Included) [FR]Composants (Comprises) [DE]Die Komponenten (im Lieferumfang enthalten) [ES]Componentes (Incluido)	Q.	[IT]Ricambi (A Richiesta) [EN]Spare Parts (Made to order) [FR]Pièces de rechange (Sur commande) [DE]E Teile (auf Anfrage) [ES]Piezas de recambio (Previa solicitud)	Q.
9		2	Codice-Code-Código	Q.
10		4	700028200000	4
11		4	700025300000	4
12		1	700025000000	1
13		4	700049600000	1
14		-	700046500000	1
15		-	700046400000	4

## OPTIONAL KIT 000084800000

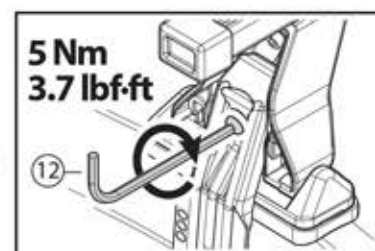
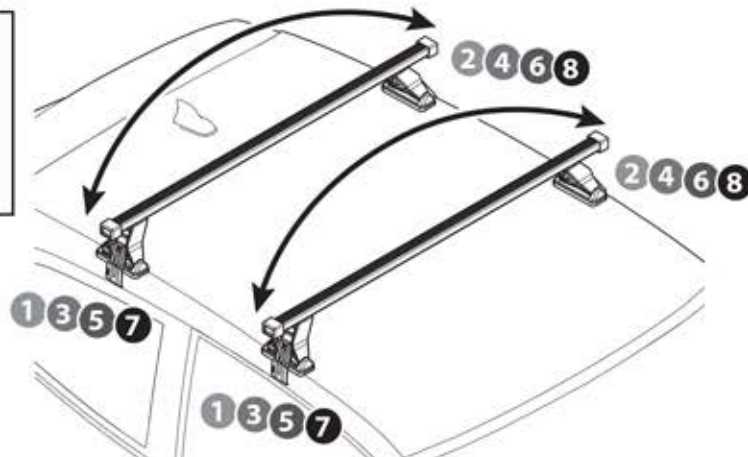
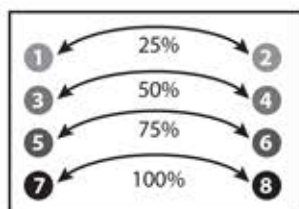
N.	Q.
16	2
17	4

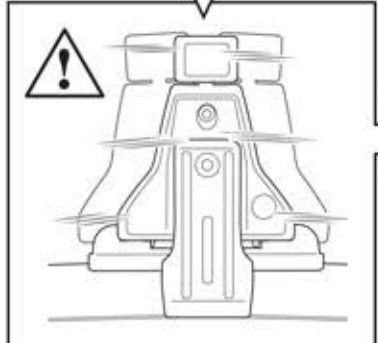
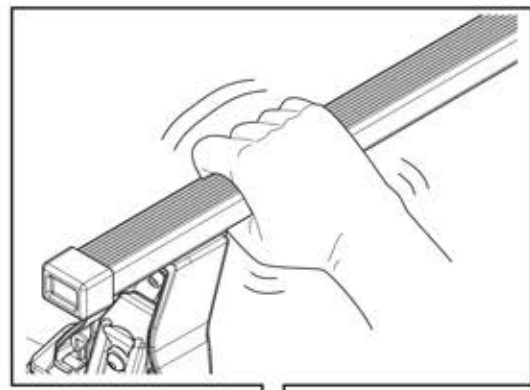
1



FIXING KIT OMEGA

7

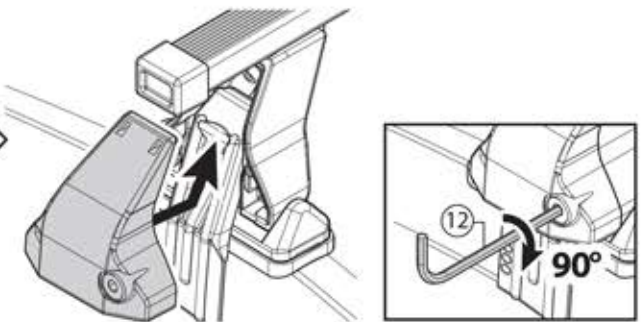
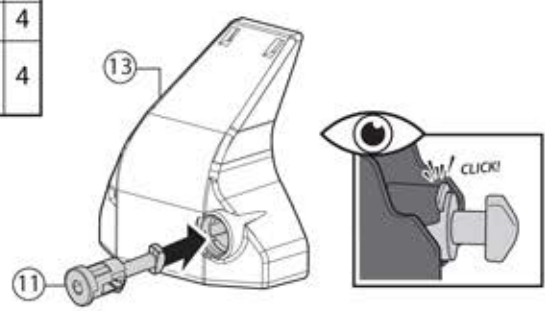




7 PAG 2

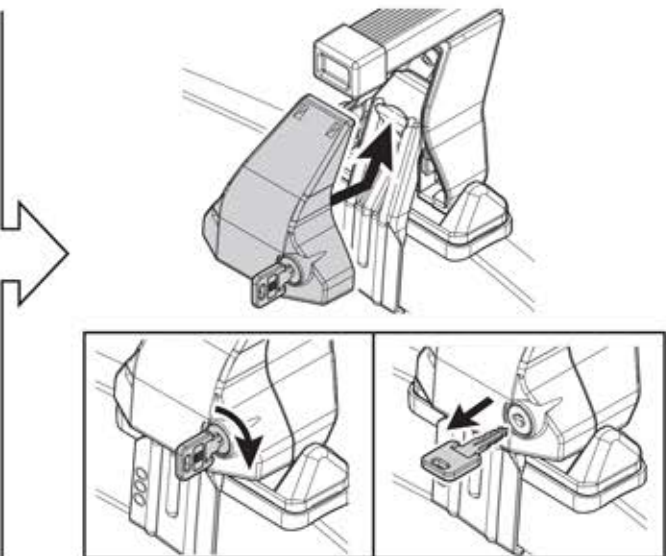
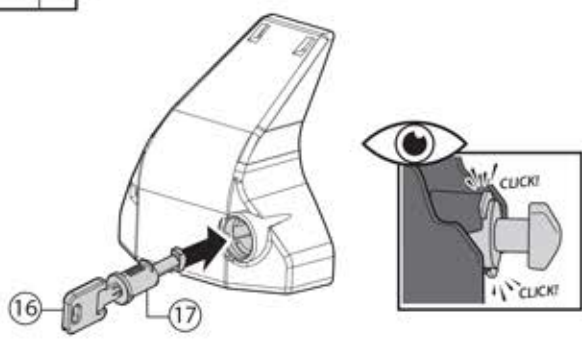
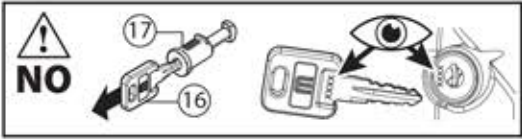
X4-

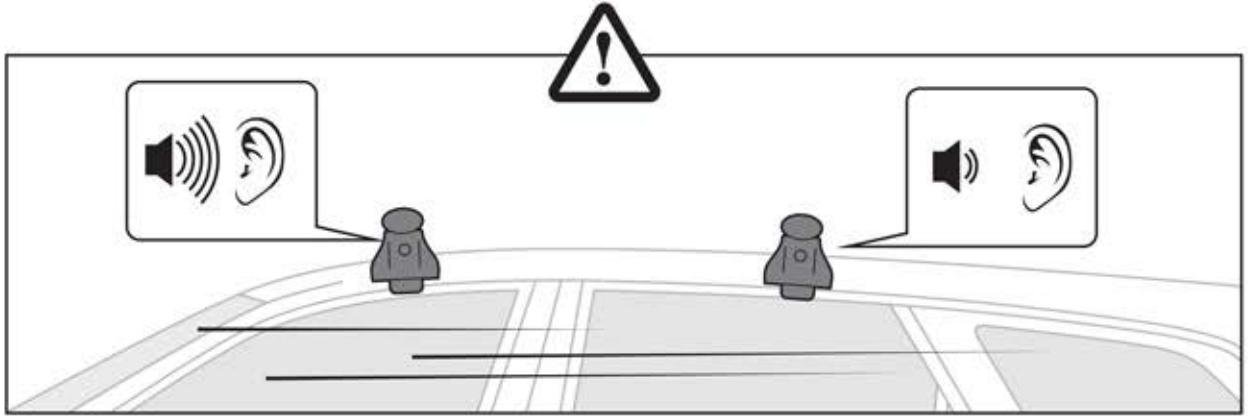
N.	Q.
11	4
13	4



9 - OPTIONAL KIT 000084800000

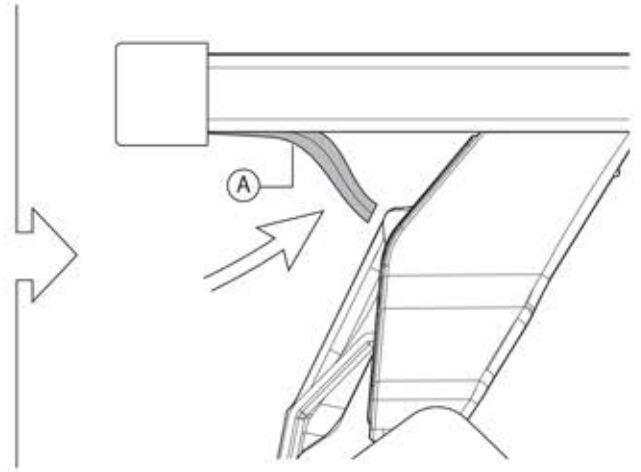
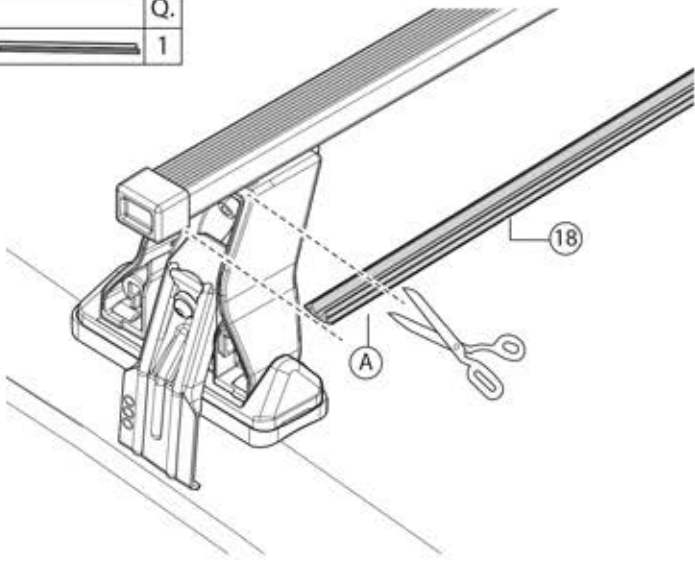
N.	Q.
16 XXXX	2
17	4



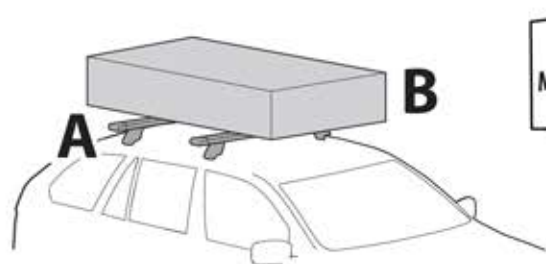


**X4**

N.	Q.
18	1







CAR  
MANUAL

$$A + B \leq \text{MAX LOAD}$$

## Fix G

**MAX LOAD**  
50kg / 110lb



## Fix FP

**MAX LOAD**  
75kg / 165lb



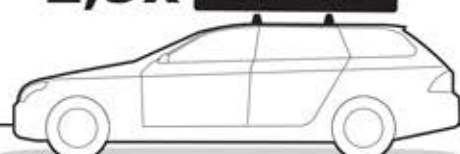
**DYNAMIC**

**MAX PAYLOAD**



**STATIC**

**2,5x MAX PAYLOAD**



**130**  
km/h

**80**  
mph

